



GENERAL PRODUCT INFORMATION:

This product is suitable for damp locations.

These fixtures are intended to be installed utilizing NEC compliant junction boxes.

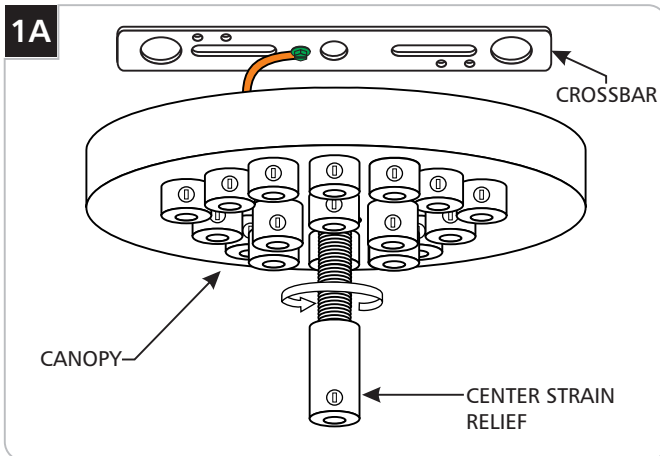
This product can be dimmed with a LED or TRIAC dimmer. Consult lamp manufacturer for additional information.

This instruction shows a typical installation.

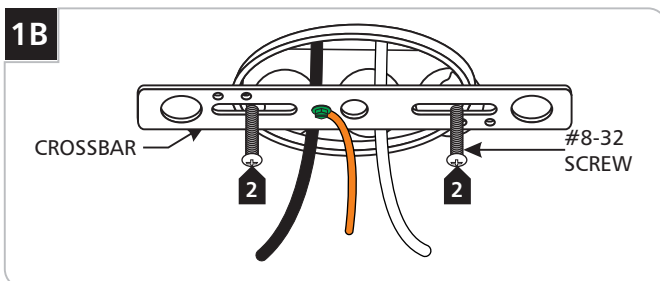


CAUTION - RISK OF FIRE
 This product must be installed in accordance with the applicable installation code by a person familiar with the construction and operation of the product and the hazards involved.
 Use minimum 90°C supply conductors.

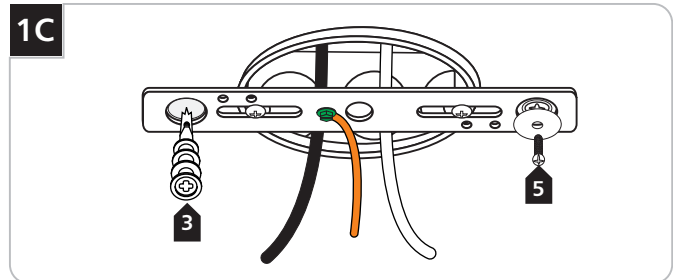
Preparing the Canopy



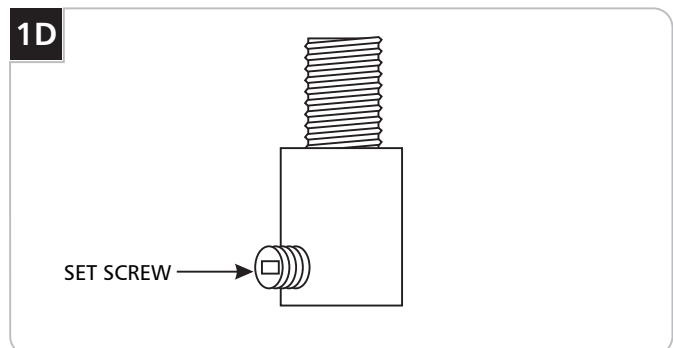
1 Remove the crossbar from the canopy by completely unscrewing the center strain relief.



2 Mount the crossbar assembly to the electrical box with the two provided #8-32 screws.

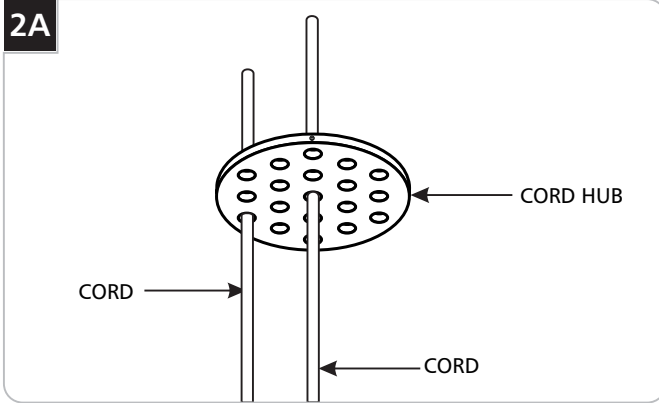


- 3** Line an anchor tip with the center of an anchor holes, and push the anchors into the wall up to the threads.
- 4** Screw the anchors in the rest of the way with a Phillips-head screwdriver.
- 5** Slide each #8 screw through a washer, and screw them into the anchors to secure the mounting plate.

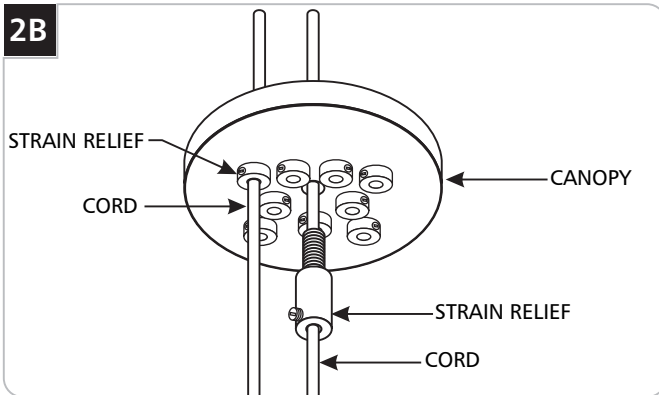


6 Loosen (**Do Not Remove**) the set screw on each strain relief.

Install the Fixture

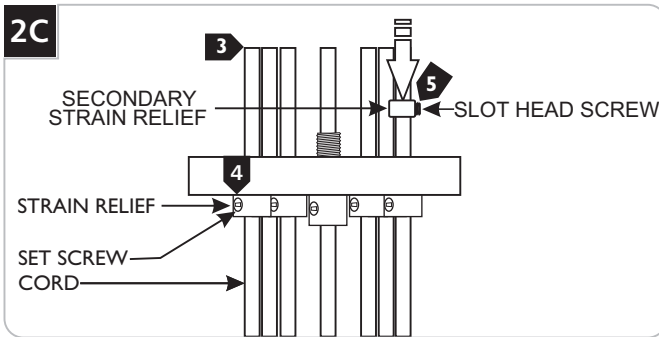


1 Feed a fixture cord through each hole in the cord hub.



2 Feed a fixture cord through each strain relief.

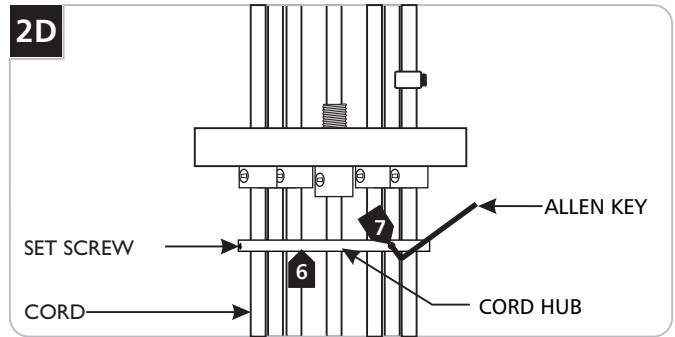
Note: Taping down the frayed end of the cloth may assist in feeding it through the strain relief.



3 Adjust each fixtures' height (from bottom of the fixture shade to top of the canopy) by pulling the fixture cords through the strain relief.

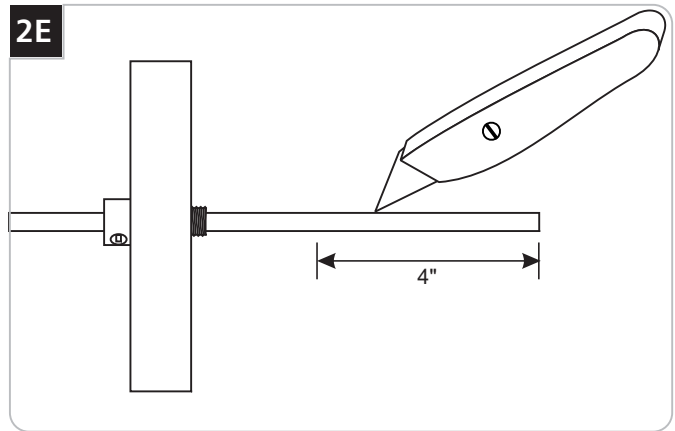
4 When the desired look is achieved, tighten the set screw on each strain relief.

5 For all fixtures except the center fixture, feed the cord through the secondary strain relief and position it as close to the canopy as possible. Secure it in place by tightening the slot head screw. (Save one secondary strain relief for the center fixture for later.)



6 Position the cord hub to desired location.

7 Secure the cord hub in place by using the provided Allen key to carefully tighten the set screws against the cords until snug. **Do not over tighten.**

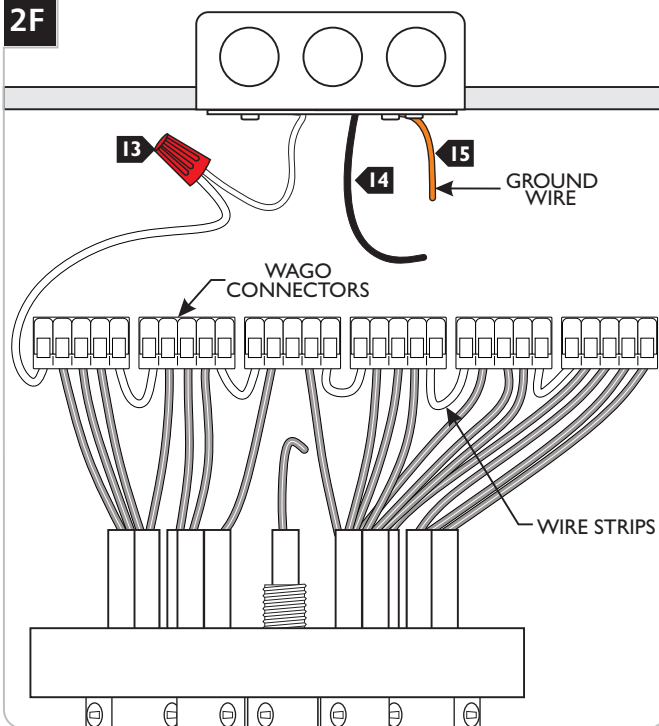


8 Leave 6" of the cord behind the canopy for power connections. Cut the excess cord.

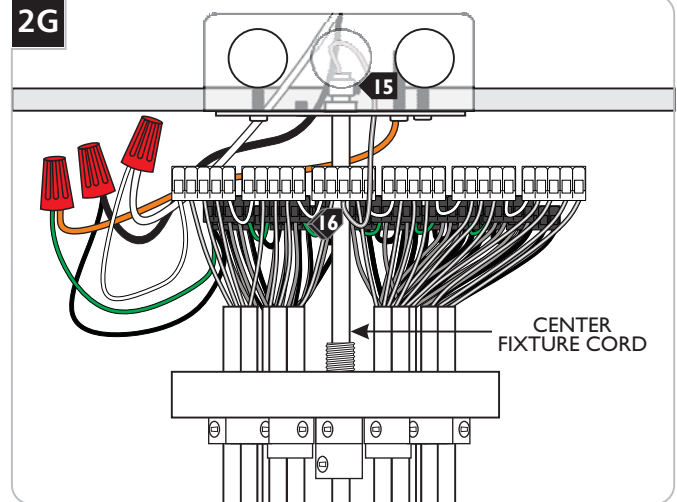
9 From the end of the cord, strip the insulation 4" using a sharp knife. **Make sure not to nick the inner wires.**

10 Strip the end of the wires.

11 Repeat for all the cords.

2F

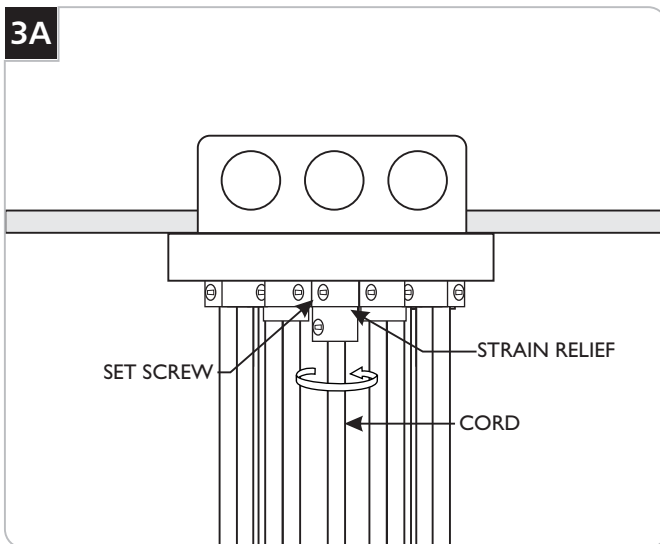
- 12** Follow the above wire diagram and connect neutral fixture wires (white tracer) using the provided Wago connectors and wire strips. Leave the center fixture wires unconnected for now. Lift up the tabs on the Wago connectors and insert wires all the way in, then press the tabs closed until they snap into place.
- 13** Connect neutral power line to one of white wire strips provided to the chain of Wago connectors.
- 14** Repeat Step 12 for hot wires using the black wire strips and connect to the hot power line.
- 15** Repeat steps 12 for the uninsulated ground wires and green wire strips. Ground the fixture wires and the mounting plate ground wire with accordance to local electrical code.

2G

- 16** Lift the canopy up to feed center fixture's cord through the center hole in the mounting bar. Then pull the cord out of the electrical box.
- 17** Slide secondary strain relief over end of center wires and position it as close to the mounting bracket as possible and secure it to the fixture cord. (Refer to step 5 on page 2.)
- 18** Connect the center fixture's hot, neutral and ground wires to the corresponding Wago connectors. (Refer to step 12 on page 3.)

Install the Canopy

3A

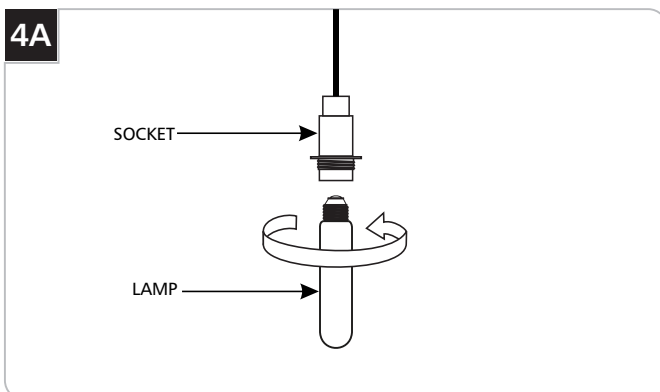


NOTE: It is recommended that one person hold the fixture while the electrician finishes the installation.

- 1 Place all wires, wire nuts and Wago connector connections properly inside the canopy.
- 2 While supporting the fixture, loosen the set screw on the center strain relief.
- 3 Align the canopy center hole with the crossbar center hole.
- 4 Slide the canopy up against the ceiling and secure it in place by tightening the center strain relief into the crossbar. **Do not turn the cord.**
- 5 Reposition the height of the center fixture if necessary and tighten the plastic set screw to secure the cord.

Install the Lamp and Shade

4A

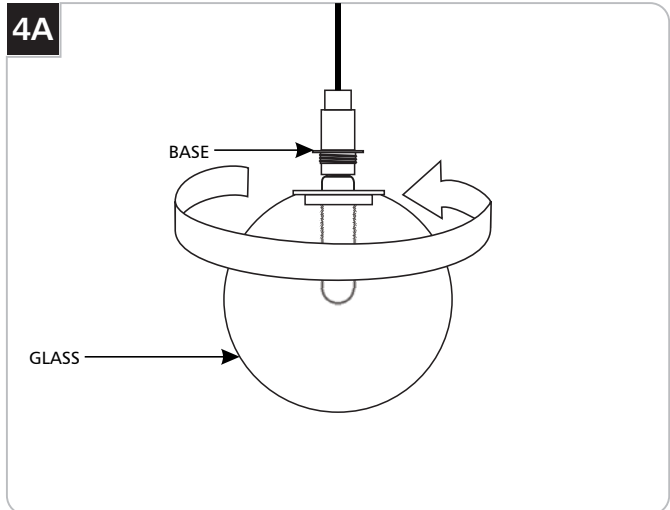


CAUTION: To reduce the risk of a burn or electric shock during relamping, disconnect the power to the fixture.

Refer to fixture marking for lamp information

- 1 Screw the lamp into the socket.

4A



CAUTION: DO NOT OVER TIGHTEN the glass. This may break the glass resulting in injury.

- 2 Gently screw the glass onto it's base.

SAVE THESE INSTRUCTIONS!



TECH LIGHTING®

7400 Linder Ave, Skokie, IL 60077

847.410.4400

www.techlighting.com

© 2017 Tech Lighting, L.L.C. All rights reserved. The "Tech Lighting" graphic is a registered trademark of Tech Lighting, L.L.C. Tech Lighting reserves the right to change specifications for product improvements without notification.

A Generation Brands Company