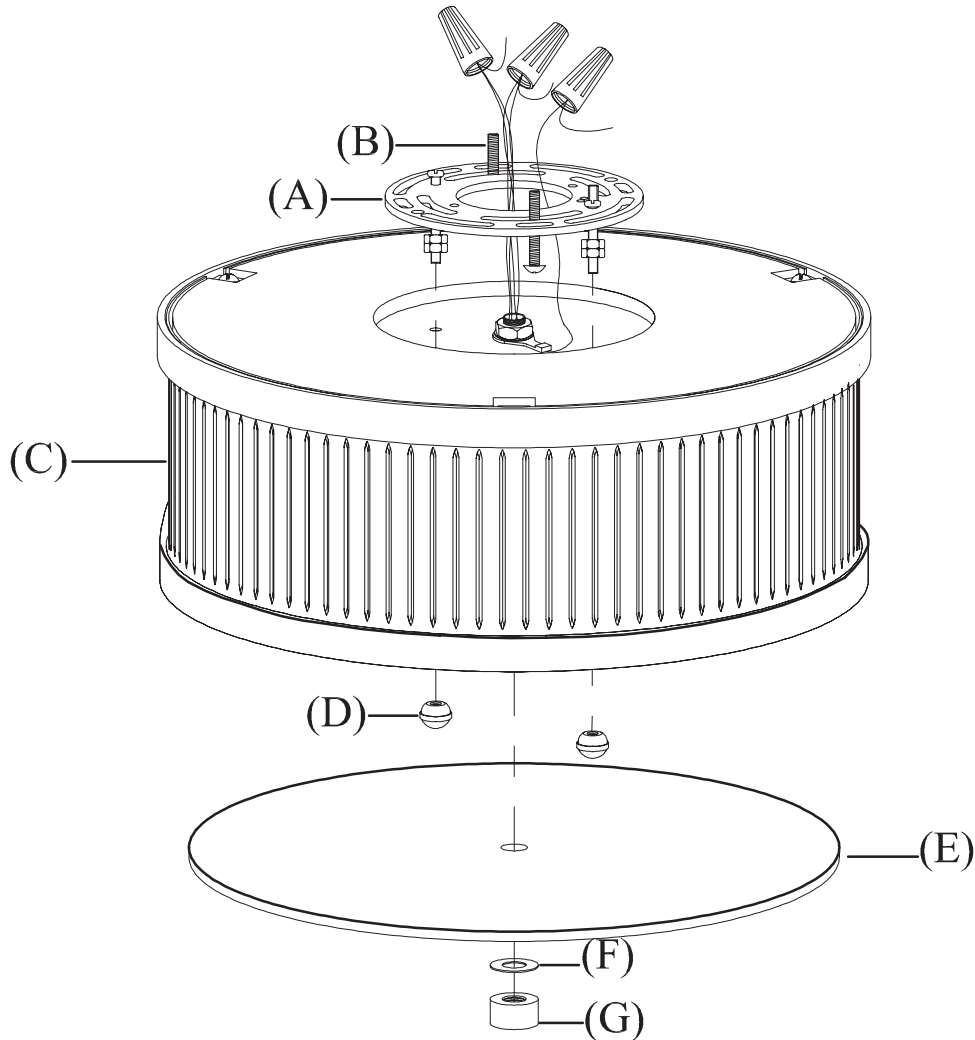


ASSEMBLY INSTRUCTIONS



Randolph Large Flush Mount

Item # AH4201

WE RECOMMEND INSTALLATION OF THIS LIGHTING FIXTURE BE DONE BY A LICENSED ELECTRICIAN.

WARNING * SWITCH OFF THE MAIN ELECTRICAL SUPPLY FROM THE MAIN FUSE BOX/CIRCUIT BREAKER BEFORE INSTALLATION.**

INSPECT ITEM CAREFULLY BEFORE ATTEMPTING TO INSTALL. IF THERE IS ANY DAMAGE OR OBVIOUS DEFECT, DO NOT INSTALL.

ITEM MAY NOT BE RETURNED ONCE IT HAS BEEN INSTALLED.

1. Attach ground (green) wire to ground wire from wall outlet box (usually green or copper in color), fasten together with a plastic wire connector. Tightly wrap the wire connector with electrical tape so the end of the connector is sealed. IT IS IMPERATIVE THAT THE OUTLET BOX IN YOUR HOME BE PROPERLY GROUNDED.
2. Connect neutral (white) fixture wire coming from fixture base to neutral (usually white) outlet wire. Fasten both wires together with a plastic wire connector and tightly wrap the wire connector with electrical tape.
3. Repeat the procedure with the hot (black) wires. Always make sure that no wire strands are left outside the connectors. DO NOT REVERSE THE HOT AND NEUTRAL CONNECTIONS OTHERWISE SAFETY WILL BE COMPROMISED.
4. To detach mounting plate (A) from fixture base (C) by removing cap nuts (D).
5. Attach the mounting plate (A) to ceiling outlet box, align the mounting slots with mounting holes of outlet box, insert mounting screws (B) to secure mounting plate (A).
6. Gently push the fixture base (C) onto the ceiling outlet, letting rods on mounting plate (A) pass through the holes on the fixture base (C) and tighten by screwing cap nuts (D) to the exposed part of rods.
7. Insert light bulbs into sockets.
8. Remove finial (G) and washer (F) from center rod of (C).
9. Attach diffuser (E) to center rod of (C) and secure with washer (F) and cap nut (G).



VISUAL COMFORT & Co. Est. 1987