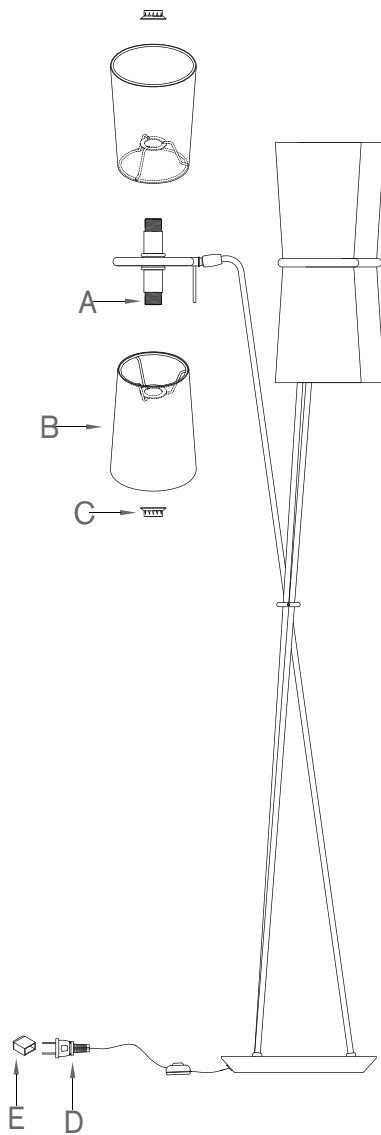


ASSEMBLY INSTRUCTIONS

Clarkson Triple Floor Lamp

Item # ARN1034



INSPECT ITEM CAREFULLY BEFORE ATTEMPTING TO INSTALL. IF THERE IS ANY DAMAGE OR OBVIOUS DEFECT, DO NOT INSTALL.

ITEM MAY NOT BE RETURNED ONCE IT HAS BEEN INSTALLED.

1. Carefully remove all parts from the carton.
2. Remove socket rings (C) from threaded sockets (A), place lamp shades (B) onto the threaded sections of sockets (A) and secure with socket ring (C).
3. Insert light bulbs (not included) into sockets.
4. Remove plastic cover (E) from electrical plug (D).
5. Plug lamp into wall outlet.

***Clean with a dry, soft cloth only. Do not use harsh abrasives or chemical agents.



VISUAL COMFORT & Co. Est. 1987

UNPACKING NOTICE

Clarkson Triple Floor Lamp

Item # ARN1034

THE FOLLOWING INSTRUCTIONS SHOULD BE READ PRIOR TO UNPACKING YOUR PRODUCT AS THEY ARE INTENDED TO REDUCE OR ELIMINATE ANY POSSIBLE DAMAGE.

1. To properly remove lamp from carton, lift **ONLY** from center joint (A) and base pole (B) pictured.

