

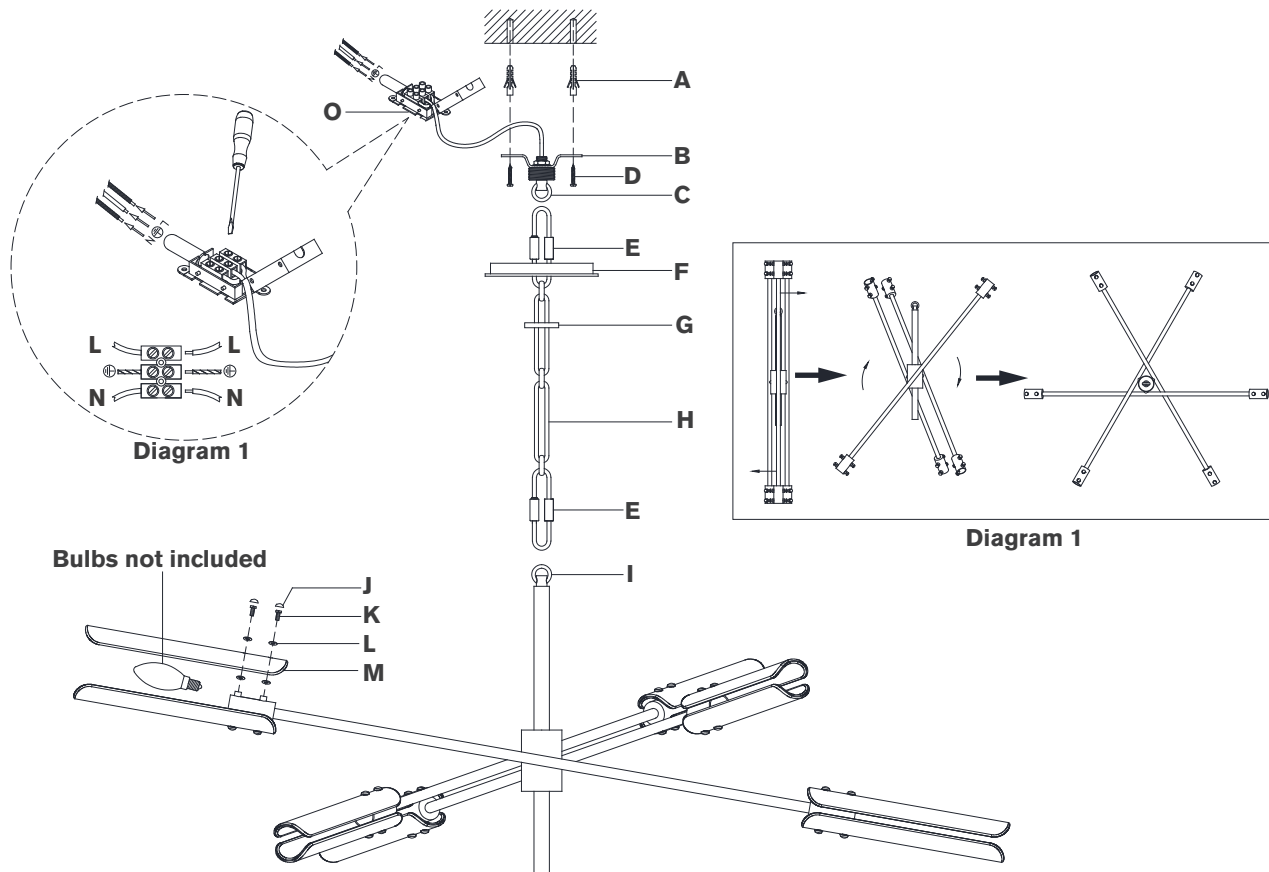
ASSEMBLY INSTRUCTIONS

Casoria XL Radial Chandelier

Item # ARN 5488-EU

NOTICE:

This light fixture should be installed in accordance with all applicable, local installation codes, and by a person familiar with the construction and operation of it, as well as the hazards involved. Inspect item and contents carefully. If any damage or defect is found, do not install. Retain all packaging material until installation is complete and approved.



- Remove outer housing of wire by making a neat cut all the way around, about 2.5 cm from the end. Once cut is made, remove and discard the piece of housing, exposing the electrical wires.

NOTE: Make sure not to cut too deep into housing or electrical wires could become damaged.

- Separate wires, and strip insulation on each 6 mm.
- Loosen collar ring (**G**) and let canopy (**F**) slip down chain (**H**) carefully.
- Twist all fixture wires together. Slip through center hole of collar loop (**C**).

NOTE: Untwist wires and separate to prepare for connection.

- Open terminal block (**O**) to prepare for installation of electrical wires. Use diagram 1 to reference electrical installation steps below.

- Connect fixture ground (green) and supply ground (usually green or yellow) to terminal block (**O**) and secure with screws.

NOTE: It is imperative that the fixture is grounded.

- Connect neutral wires (blue) to terminal block (**O**) and secure with screws.

- Connect hot wires (brown) to terminal block (**O**) and secure with screws. Close terminal block (**O**).

CAUTION: Do not reverse the hot and neutral connections.

- Install canopy (**F**) to collar loop (**C**) and secure with collar ring (**G**).
- Install light bulbs into the sockets.

- Attach glass panels (**M**) and rubber washers (**L**) to socket cups and secure with screws (**K**) and caps (**J**).

NOTE: Do not over-tighten otherwise shade could become damaged.

Care Instructions: Clean only with a soft dry cloth or feather duster. Do not use abrasive or chemical agents.