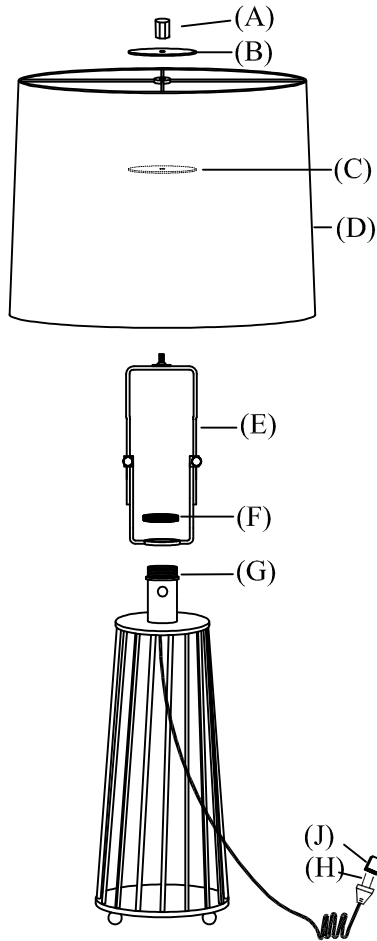


BBL3008

ASSEMBLY & INSTALLATION GUIDE



INSPECT ITEM CAREFULLY BEFORE ATTEMPTING TO INSTALL. IF THERE IS ANY DAMAGE OR OBVIOUS DEFECT, DO NOT INSTALL.

ITEM MAY NOT BE RETURNED ONCE IT HAS BEEN INSTALLED.

1. Remove threaded ring (F) from socket cover (G).
2. Attach bottom ring of harp (E) over top threaded section of (G), and secure with threaded ring (F).
3. Remove finial (A), flat washers (B) & (C) from harp (E).
4. Attached one flat washer (C) over top bolt attach on top of harp (E). follow with lamp shade (D), another flat washer (B), and screw finial (A) onto the bolt to secure shade (D) to harp (E).
5. Insert light bulb into socket.
6. Remove red plastic (J) from electrical plug (H).
7. Plug lamp into electrical outlet.
8. ADJUSTMENT INSTRUCTIONS:
 1. Loosen adjustment knobs at both sides of harp (E).
 2. Adjust harp (E), up or down, to get desired height. Harp (E) should not show under shade (D) when the harp is adjusted correctly.
 3. Carefully tighten knobs on harp (E).