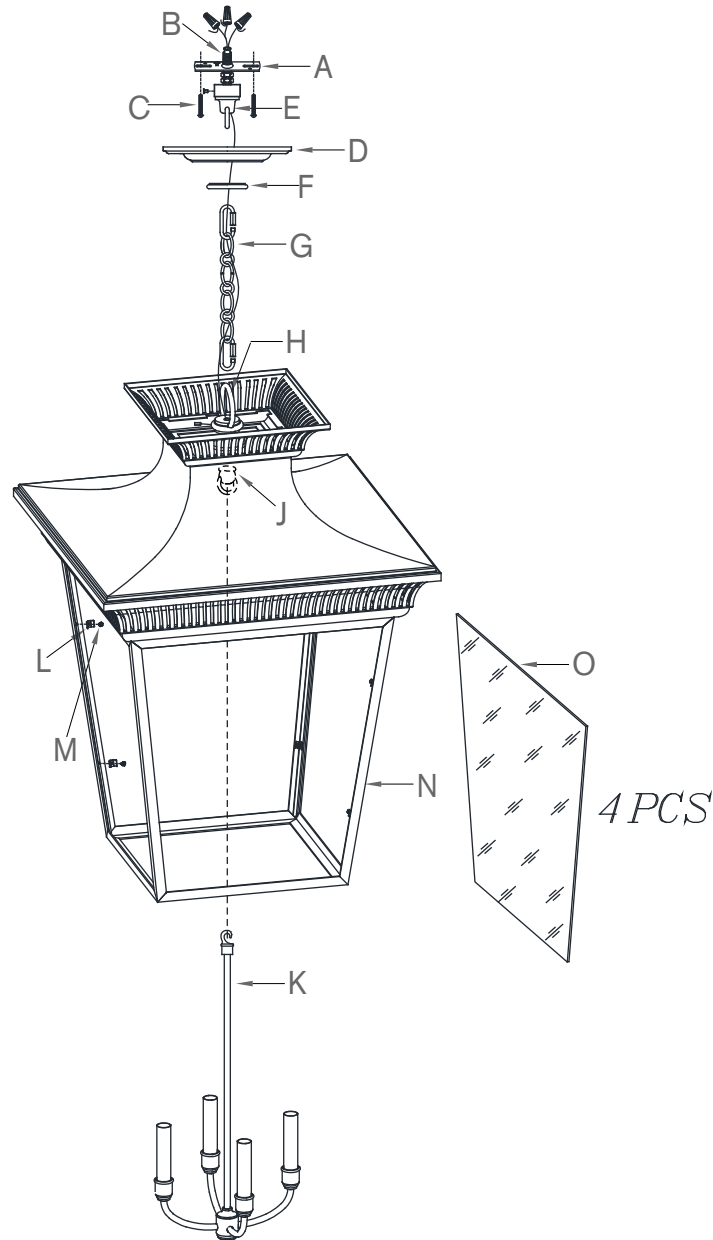


## ASSEMBLY INSTRUCTIONS



## Elsinore Large Hanging Lantern Item # CHC 5051

**WE RECOMMEND INSTALLATION OF THIS LIGHTING FIXTURE BE DONE BY A LICENSED ELECTRICIAN.**

**WARNING \*\*\* SWITCH OFF THE MAIN ELECTRICAL SUPPLY FROM THE MAIN FUSE BOX/CIRCUIT BREAKER BEFORE INSTALLATION.**

**INSPECT ITEM CAREFULLY BEFORE ATTEMPTING TO INSTALL. IF THERE IS ANY DAMAGE OR OBVIOUS DEFECT, DO NOT INSTALL.**

**ITEM MAY NOT BE RETURNED ONCE IT HAS BEEN INSTALLED.**

1. Carefully remove all parts from the carton.
2. To install glass panel (O) to each frame of lantern box (N), removing all metal tabs (L) by unscrewing set screw (M) and set aside. Insert a glass panel into one frame and insert the second glass panel to next frame, replace metal tabs (L) and follow with set screw (M) to secure glass panels (O) to the frame.
3. Hook assembly part (K) to bottom of ring (J). (See left illustration)
4. Attach chain (G) to top loop (H) by opening I closing end link of chain.
5. Unscrewing the canopy ring (F) from chain mounting loop (E) and slide canopy (D) and canopy ring (F) on chain.
6. Feed wire through chain (G), mounting loop (E), canopy (D) and nipple (B).
7. Attach mounting strap (A) to ceiling outlet box using mounting screws (C) provided.
8. Insert threaded nipple (B) in mounting strap (A). Using pliers, thread one of hex nut to nipple (B) to secure.
9. Attach chain mounting loop (E) to thread nipple using the ceiling loop screw.
10. Attach the bare copper ground from the fixture to the ground junction box wire (usually green or copper), fasten together with a plastic wire connector. Tightly wrap the wire connector with electrical tape. Be sure no wire strands are exposed. **IT IS IMPERATIVE THAT THE OUTLET BOX IN YOUR HOME BE PROPERLY GROUNDED.**
11. Connect neutral wire from fixture (ribbed molded wire) to the neutral wire from the junction box (usually white). Fasten both wires together with a plastic wire connector and tightly wrap the wire connector with electrical tape. Be sure no wire strands are exposed.
12. Connect the hot wires from the fixture (smooth wire) to the hot wire (usually black) from the junction box, fasten both wires together with a plastic wire connector. Tightly wrap the wire connector with electrical tape. **DO NOT REVERSE THE HOT AND NEUTRAL CONNECTIONS OTHERWISE SAFETY WILL BE COMPROMISED.**
13. Tuck the wire connections neatly into the ceiling outlet box.
14. Slip canopy (D) to ceiling and secure with the canopy ring (F).
15. Insert light bulbs (not included) into the sockets.
16. Installation is complete. Restore power and test fixture.

\*\*\* Clean with a dry, soft cloth only. Use no harsh abrasives or chemical agents.