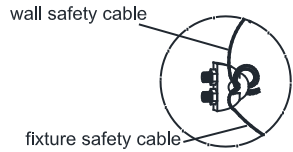
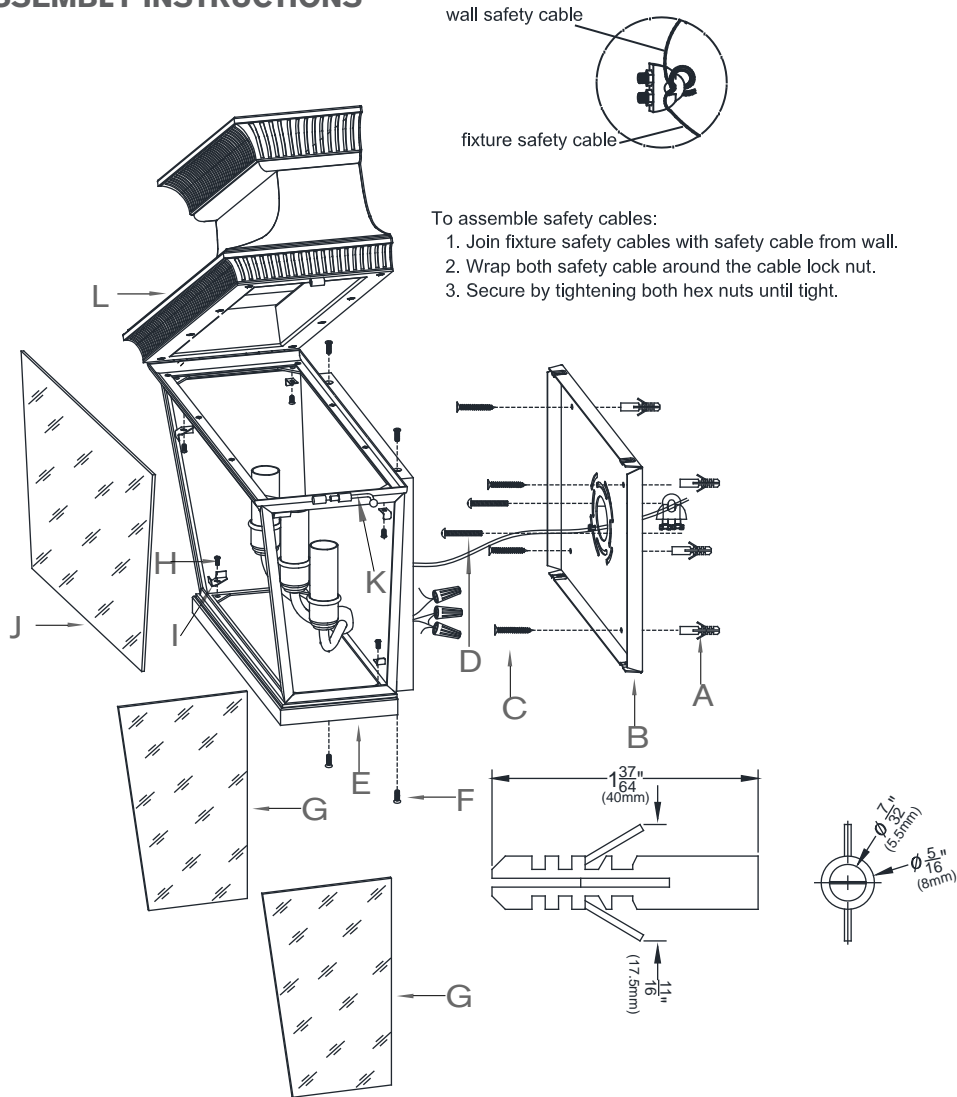


ASSEMBLY INSTRUCTIONS



To assemble safety cables:

1. Join fixture safety cables with safety cable from wall.
2. Wrap both safety cable around the cable lock nut.
3. Secure by tightening both hex nuts until tight.

Elsinore Extra Wide 3/4 Lantern
Item # CHD 2948

WE RECOMMEND INSTALLATION OF THIS LIGHTING FIXTURE BE DONE BY A LICENSED ELECTRICIAN.

WARNING * SWITCH OFF THE MAIN ELECTRICAL SUPPLY FROM THE MAIN FUSE BOX/CIRCUIT BREAKER BEFORE INSTALLATION.**

INSPECT ITEM CAREFULLY BEFORE ATTEMPTING TO INSTALL. IF THERE IS ANY DAMAGE OR OBVIOUS DEFECT, DO NOT INSTALL.

ITEM MAY NOT BE RETURNED ONCE IT HAS BEEN INSTALLED.

1. Carefully remove all parts from the carton.
2. Remove mounting plate (B) from fixture (E) by removing base screws (F) in counter-clockwise direction.
3. Put the mounting plate (B) on the wall J-box. Mark center points for four mounting holes with a pencil on the wall. Remove mounting plate (B).
4. Drill small holes on each point location on the wall, each hole should be large enough to accommodate to the plastic anchor (A). Push plastic anchors (A) into the holes in the wall.
5. Affix mounting plate (B) to wall outlet box, aligning holes and secure by inserting mounting screws (D) to the holes of outlet box and screws (C) to the plastic anchors (A) in the wall.
6. Gently pull the wires from the wall outlet and allow the wires to hang. Thread the wires through the center hole in mounting plate (B).
7. Open the lantern cap (L) by loosening door bolt (K).
8. Remove metal tabs (I) from inside of fixture (E) by removing screws (H), insert glass panels (G) to side frame of fixture (E), insert glass panel (J) to the front frame of fixture (E), secure with metal tabs (I) and screws (H).
9. Attach fixture steel safety cable to structural member in the wall. (Refer to the illustration)
10. Attach fixture ground wire (usually green) to ground wire of wall J-box (usually green or copper), fasten together with a plastic wire connector. Tightly wrap the wire connector with electrical tape. **IT IS IMPERATIVE THAT THE OUTLET BOX IN YOUR HOME BE PROPERLY GROUNDED.**
11. Connect fixture neutral wire (usually white) to neutral wire (usually white) of wall J-box. Fasten the wires together with a plastic wire connector and tightly wrap the wire connector with electrical tape.
12. Connect fixture hot wire (usually black) to hot wire (usually black) of wall J-box. Fasten the wires together with a plastic wire connector and tightly wrap the wire connector with electrical tape. Always make sure that no wire strands are outside the connectors. **DO NOT REVERSE THE HOT AND NEUTRAL CONNECTIONS OTHERWISE SAFETY WILL BE COMPROMISED.**
13. Attach fixture (E) to mounting plate (B) and secure by inserting base screws (F).
14. Insert light bulbs (not included) into sockets.
15. Close the lantern cap (L) with the door bolt (K).
16. **INSTRUCTIONS FOR MOUNTING FIXTURE OUTDOORS AND/OR IN WET LOCATION:**
 - a. Mounting surface should be clean, dry, flat and 1/4" larger than canopy/fixture base on all sides. Any gaps between the mounting surface and fixture base exceeding 3/16" should be corrected as required.
 - b. With silicone (ex. GE-108) caulking compound, caulk completely around where back of canopy/fixture base meets the wall surface to prevent water from seeping into outlet box. **TO AVOID WATER ENTERING THE FIXTURE BASE FROM THE SIDE OF FIXTURE, THIS FIXTURE MUST BE MOUNTED ABOVE 1.2M (4 FT) FROM GROUND.**

*** Clean with a dry, soft cloth only. Use no harsh abrasives or chemical agents.



VISUAL COMFORT & Co. Est. 1987