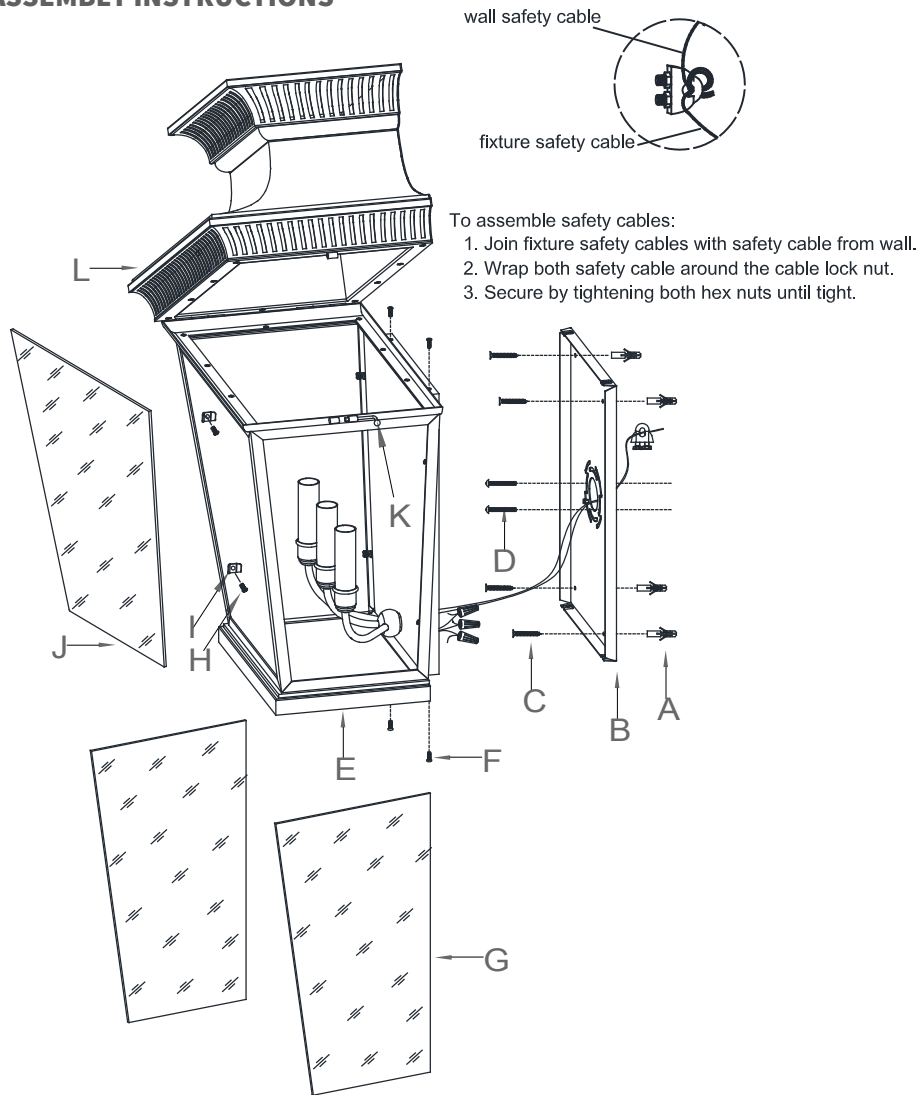


ASSEMBLY INSTRUCTIONS



Elsinore Extra Large 3/4 Wall Lantern Item # CHD 2960

WE RECOMMEND INSTALLATION OF THIS LIGHTING FIXTURE BE DONE BY A LICENSED ELECTRICIAN.

WARNING * SWITCH OFF THE MAIN ELECTRICAL SUPPLY FROM THE MAIN FUSE BOX/CIRCUIT BREAKER BEFORE INSTALLATION.**

INSPECT ITEM CAREFULLY BEFORE ATTEMPTING TO INSTALL. IF THERE IS ANY DAMAGE OR OBVIOUS DEFECT, DO NOT INSTALL.

ITEM MAY NOT BE RETURNED ONCE IT HAS BEEN INSTALLED.

1. Carefully remove all parts from the carton.
2. Remove mounting plate (B) from lantern box (E) by removing base screws (F) in counter-clockwise direction.
3. Position mounting plate (B) on the wall outlet box. Mark center points for four mounting holes with a pencil on the wall. Remove mounting plate (B).
4. Drill small holes on each point location on the wall, each hole should be large enough to accommodate to the plastic anchor (A). Push plastic anchors (A) into the holes in the wall.
5. Affix mounting plate (B) to wall outlet box, aligning holes and secure by inserting mounting screws (D) to the holes of outlet box and screws (C) to the plastic anchors (A) in the wall.
6. Gently pull the wires from the wall outlet through the center hole in mounting plate (B).
7. Open the lantern cap (L) by loosening lock pin (K).
8. Remove metal tabs (I) from inside of lantern box (E) by removing set screws (H), insert glass panels (G) to both side frame of lantern box (E), insert glass panel (J) to the front frame of lantern box (E), secure with metal tabs (I) and screws (H).
9. Attach fixture steel safety cable to structural member in the wall. (Refer to the illustration)
10. Attach ground (green) wire to ground wire from wall outlet box (usually green or copper in color), fasten together with a plastic wire connector. Tightly wrap the wire connector with electrical tape so the end of the connector is sealed. **IT IS IMPERATIVE THAT THE OUTLET BOX IN YOUR HOME BE PROPERLY GROUNDED.**
11. Connect neutral (white) fixture wire coming from fixture base to neutral (usually white) outlet wire. Fasten both wires together with a plastic wire connector and tightly wrap the wire connector with electrical tape.
12. Repeat the procedure with the hot (black) wires. Always make sure that no wire strands are left outside the connectors. **DO NOT REVERSE THE HOT AND NEUTRAL CONNECTIONS OTHERWISE SAFETY WILL BE COMPROMISED.**
13. Attach lantern box (E) to mounting plate (B) and secure by inserting base screws (F).
14. Insert light bulbs (not included) into sockets.
15. Close the lantern cap (L) with the lock pin (K).
16. **INSTRUCTIONS FOR MOUNTING FIXTURE OUTDOORS AND/OR IN WET LOCATION:**
 - a. Mounting surface should be clean, dry, flat and 1/4" larger than canopy/fixture base on all sides. Any gaps between the mounting surface and fixture base exceeding 3/16" should be corrected as required.
 - b. With silicone (ex. GE-108) caulking compound, caulk completely around where back of canopy/fixture base meets the wall surface to prevent water from seeping into outlet box. **TO AVOID WATER ENTERING THE FIXTURE BASE FROM THE SIDE OF FIXTURE, THIS FIXTURE MUST BE MOUNTED ABOVE 1.2M (4 FT) FROM GROUND.**

*** Clean with a dry, soft cloth only. Use no harsh abrasives or chemical agents.