

Marston Wall

CW1222, CW1231, CW1241 | I.0

GENERATION LIGHTING WALL

GENERAL PRODUCT INFORMATION:

These fixtures are intended to be installed utilizing NEC compliant junction boxes.

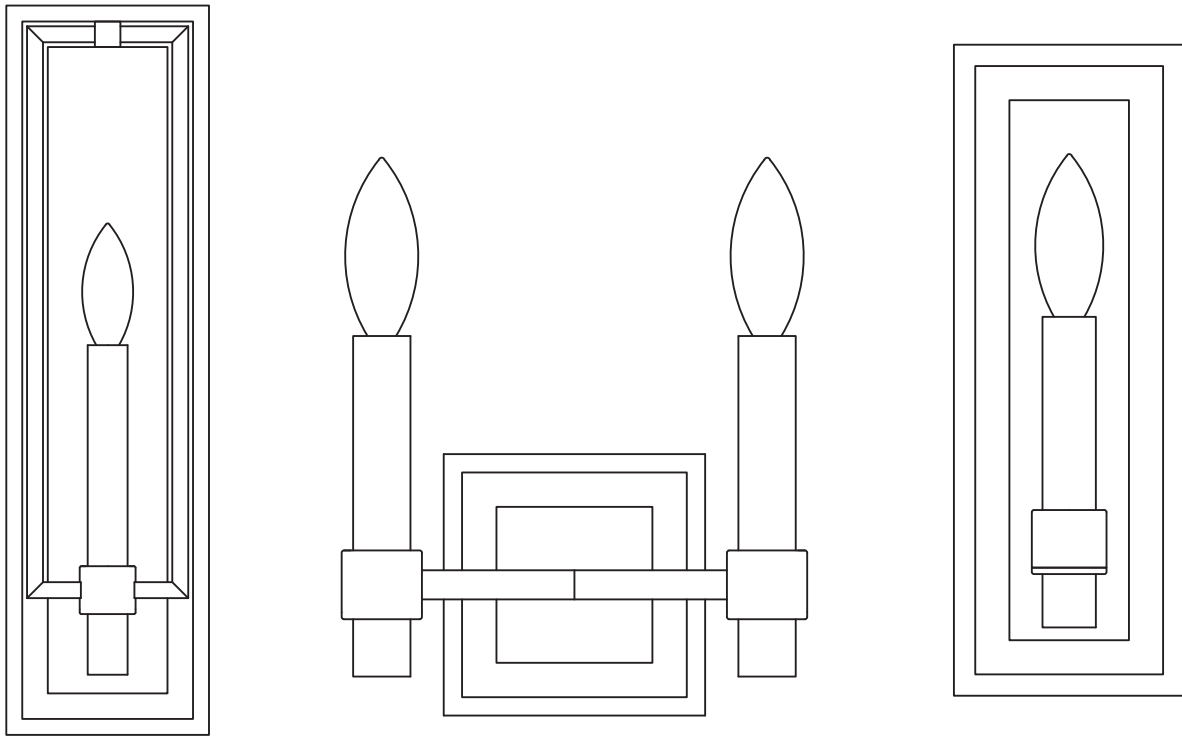
This product is safety listed for damp locations.

Incandescent version may be dimmed with a standard incandescent dimmer. LED version may be dimmed with a LED dimmer. Consult lamp manufacturer for additional information.

This instruction shows a typical installation.

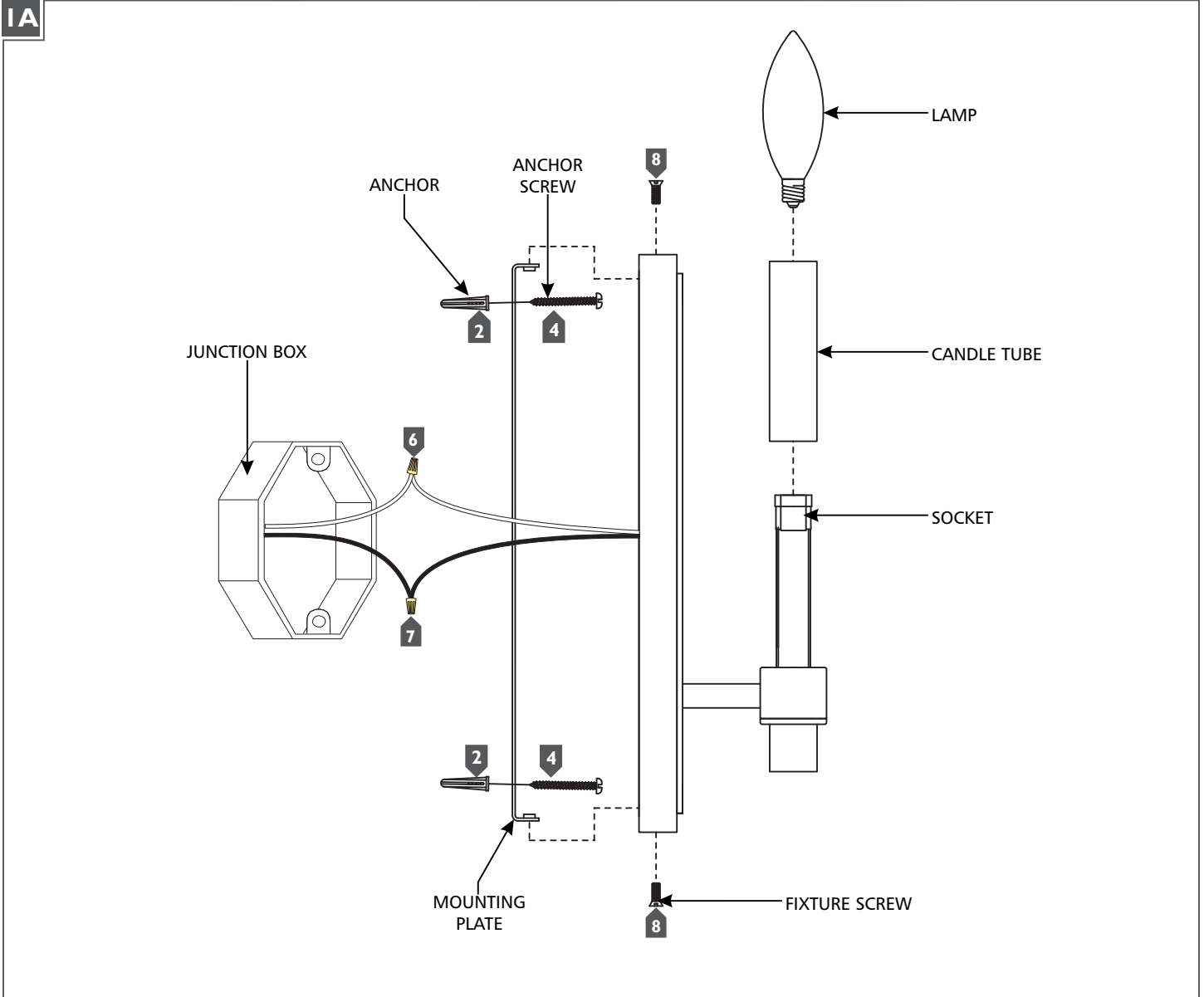
SAVE THESE INSTRUCTIONS!

CAUTION - RISK OF FIRE
This product must be installed in accordance with the applicable installation code by a person familiar with the construction and operation of the product and the hazards involved.
Use minimum 90°C supply conductors.



GENERATION LIGHTING
7400 Linder Ave., Skokie, IL 60077
T 847.410.4400 | F 847.410.4500
www.generationlighting.com

Install the Fixture



- 1** For Models CW1231 and CW1241 Only: Temporarily install the mounting plate to the junction box and mark the anchor locations through the holes on the mounting plate. Remove the mounting plate.
- 2** For Models CW1231 and CW1241 Only: Drill appropriate sized holes at the mark locations and install the anchors.
- 3** Secure the mounting plate to the junction box.
- 4** For Models CW1231 and CW1241 Only: Screw the anchor screws into the anchors.
- 5** Connect the fixture ground wire to a suitable ground in accordance to local electrical codes.
- 6** Connect the white fixture wire to the neutral power line wire with a wire nut.
- 7** Connect the black fixture wire to the hot power line wire with a wire nut.
- 8** Properly place all wires and wire nut connections into the junction box/fixture base, mount the fixture onto the mounting plate and secure it in place using the fixture screws.