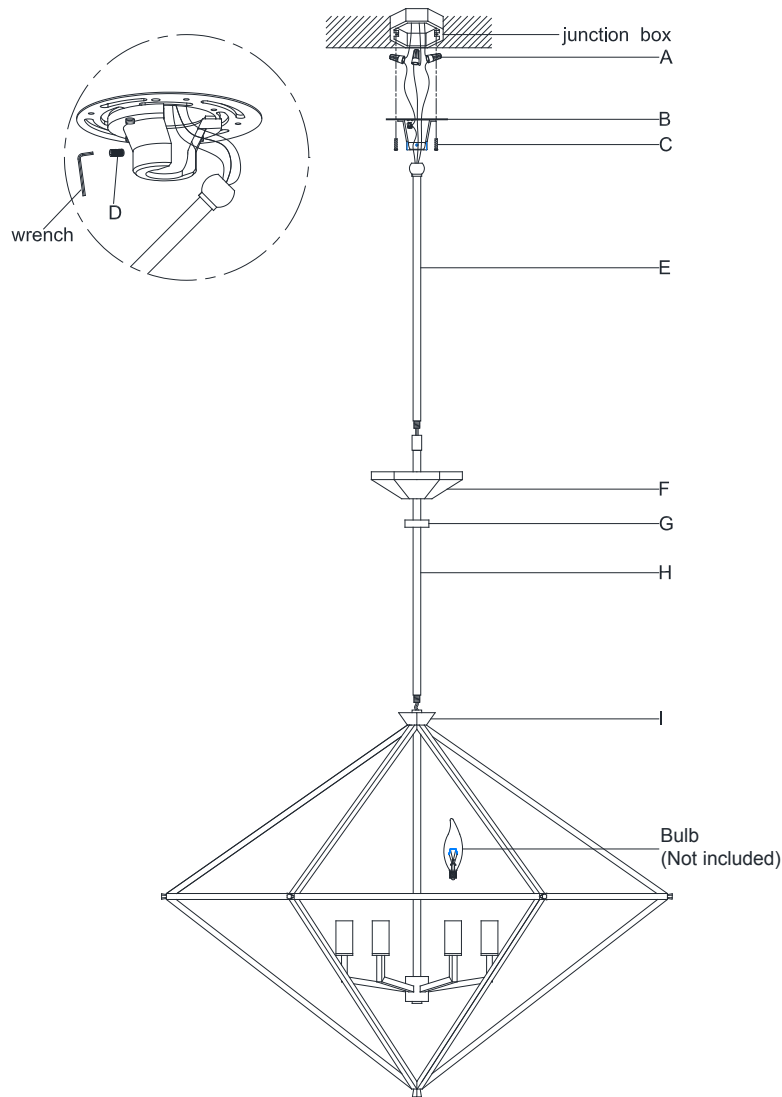


## ASSEMBLY INSTRUCTIONS



## Afton Large Lantern

Item # JN 5092

**WE RECOMMEND INSTALLATION OF THIS LIGHTING FIXTURE BE DONE BY A LICENSED ELECTRICIAN.**

**WARNING\*\*\*SWITCH OFF THE MAIN ELECTRICAL SUPPLY FROM THE MAIN FUSE BOX/CIRCUIT BREAKER BEFORE INSTALLATION.**

**INSPECT ITEM CAREFULLY BEFORE ATTEMPTING TO INSTALL. IF THERE IS ANY DAMAGE OR OBVIOUS DEFECT. DO NOT INSTALL.**

**ITEM MAY NOT BE RETURNED ONCE IT HAS BEEN INSTALLED.**

**NOTE: CAREFULLY UNPACK EACH PIECE IN TOP LAYER OF PACKING PRIOR TO REMOVING. RETAIN ALL PACKING MATERIAL UNTIL INSPECTION AND INSTALLATION ARE FINAL.**

1. Carefully remove all parts from the box.
2. Feed the fixture wire and ground wire pass through the rod (H), then thread the rod (H) to the top of fixture body (I).
3. Feed the fixture wire and ground wire pass through the collar ring (G) and canopy (F) and rod (E). Then thread the rod (E) to the rod (H).
4. Install the mounting plate (B) to the junction box with mounting screws (C) provided.
5. Hang the rod (E) with top end ball provided on the mounting plate (B) and secure with set screw (D) by using the wrench.
6. Connect the fixture ground (bare) wire with the ground wire from the outlet box using wire nut (A). If your house does not have ground wire, then attach this wire to the green grounding screw inside of the outlet box.

IT IS IMPERATIVE THAT THIS FIXTURE BE GROUNDED.

7. Connect the fixture Neutral wire (ribbed) with the neutral wire (White) from the outlet box using wire nut (A).
8. Connect the fixture Hot (smooth, marks with words) wire with the hot wire (Black) from the outlet box using wire nut (A).

DO NOT REVERSE THE HOT AND NEUTRAL CONNECTIONS OR SAFETY WILL BE COMPROMISED.

9. Tuck these wire connections neatly into the outlet box.
10. Put canopy (F) flush to the mounting plate (B) and secure with collar ring (G).
11. Insert bulbs (not included) into the sockets.
12. Installation is complete, turn on power at fuse or circuit breaker.

\*\*\*Clean with a dry, soft cloth only. Use no harsh abrasives or chemical agents.



VISUAL COMFORT & Co. Est. 1987