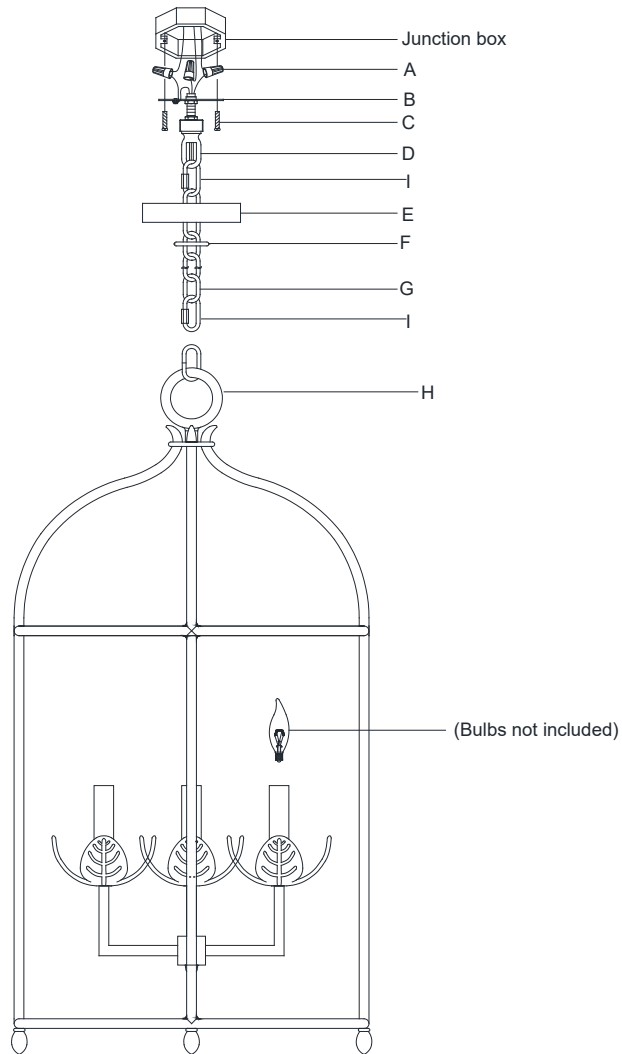


ASSEMBLY INSTRUCTIONS



Illana Medium Lantern

Item # JN 5632

WE RECOMMEND INSTALLATION OF THIS LIGHTING FIXTURE BE DONE BY A LICENSED ELECTRICIAN.

WARNING*SWITCH OFF THE MAIN ELECTRICAL SUPPLY FROM THE MAIN FUSE BOX/CIRCUIT BREAKER BEFORE INSTALLATION.**

INSPECT ITEM CAREFULLY BEFORE ATTEMPTING TO INSTALL. IF THERE IS ANY DAMAGE OR OBVIOUS DEFECT. DO NOT INSTALL.

ITEM MAY NOT BE RETURNED ONCE IT HAS BEEN INSTALLED.

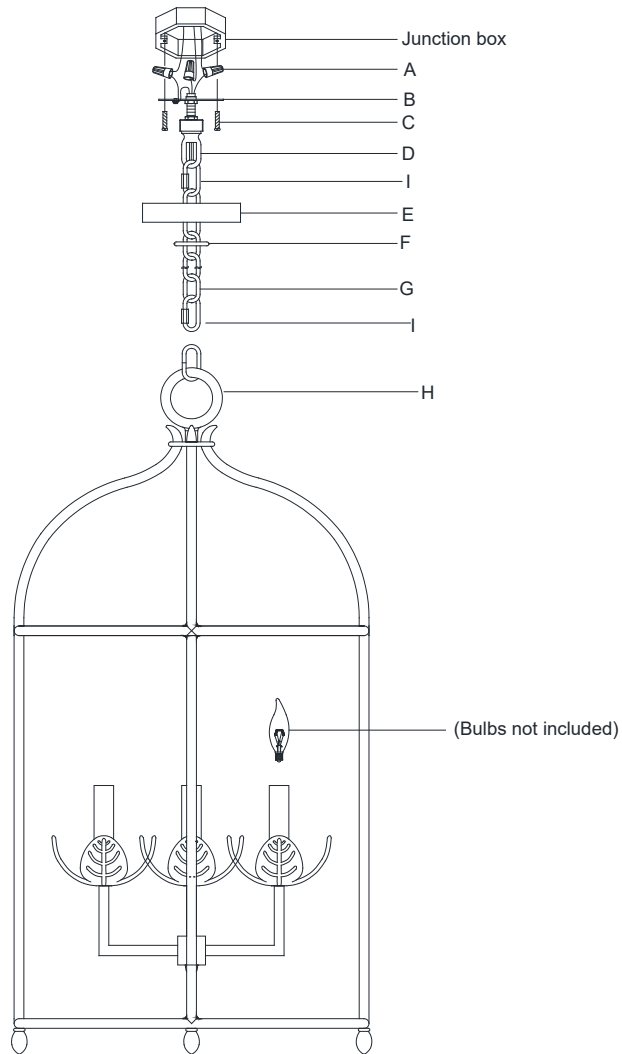
NOTE: CAREFULLY UNPACK EACH PIECE IN TOP LAYER OF PACKING PRIOR TO REMOVING. RETAIN ALL PACKING MATERIAL UNTIL INSPECTION AND INSTALLATION ARE FINAL.

1. Carefully remove all parts from the box.
2. Use a wrench (not provided) to secure the hardware into the mounting plate (B) and the collar loop (D) using provided hex nuts.
3. Install the mounting plate (B) to the junction box with the mounting screws (C) provided.
4. Install the canopy to the collar loop (D) and secure with the collar ring (F). If needed, adjust canopy height by loosening hex nuts and screwing collar loop (D) up or down then re-secure.
5. With the fixture desired height, shorten the chain (G) as needed using a pair of chain pliers (not included).
6. Open the chain quick link (I), then attach the chain quick link (I) to the fixture top loop (H). Secure the chain quick link (I).
7. Open chain quick link (I) from the opposite side then attach to the collar loop (D). Secure the chain quick link (I).
8. Weave the fixture wires through the chain (G).
9. When you reach the canopy and the collar loop (D), measure the wires then cut. Be certain to leave enough to connect inside of the junction box.
10. Strip the insulation back on the fixture wires about 5/8".
11. Loosen the collar ring (F) and let the canopy (E) slip down the chain (G) carefully.
12. Twist the fixture wires together and push through the center hole of the collar loop (D).
13. Wrap the fixture ground wire to the green ground screw on the mounting plate (B) and secure, then connect to the house ground wire with the wire nut (A).
IT IS IMPERATIVE THAT THIS FIXTURE BE GROUNDED.
14. Connect the fixture ribbed wire (no markings) to the house neutral wire with the wire nut (A).



VISUAL COMFORT & Co.

ASSEMBLY INSTRUCTIONS



Illana Medium Lantern

Item # JN 5632

WE RECOMMEND INSTALLATION OF THIS LIGHTING FIXTURE BE DONE BY A LICENSED ELECTRICIAN.

WARNING*SWITCH OFF THE MAIN ELECTRICAL SUPPLY FROM THE MAIN FUSE BOX/CIRCUIT BREAKER BEFORE INSTALLATION.**

INSPECT ITEM CAREFULLY BEFORE ATTEMPTING TO INSTALL. IF THERE IS ANY DAMAGE OR OBVIOUS DEFECT. DO NOT INSTALL.

ITEM MAY NOT BE RETURNED ONCE IT HAS BEEN INSTALLED.

NOTE: CAREFULLY UNPACK EACH PIECE IN TOP LAYER OF PACKING PRIOR TO REMOVING. RETAIN ALL PACKING MATERIAL UNTIL INSPECTION AND INSTALLATION ARE FINAL.

15. Connect the fixture smooth wire (with markings) to the house hot wire with the wire nut (A).

DO NOT REVERSE THE HOT AND NEUTRAL CONNECTIONS OR SAFETY WILL BE COMPROMISED.

16. Tuck these wire connections neatly into the junction box carefully.

17. Put the canopy (E) flush to the ceiling, and secure with the collar ring (F).

18. Insert bulbs (not included) into the sockets.

19. Installation is complete, turn on power at fuse or circuit breaker.

***Clean with a dry, soft cloth only. Use no harsh abrasives or chemical agents.



VISUAL COMFORT & Co.