

Nodes Chandelier

KC1035, KC1064 | 1.0

GENERATION LIGHTING CHANDELIER

GENERAL PRODUCT INFORMATION:

These fixtures are intended to be installed utilizing NEC compliant junction boxes.

This product is safety listed for damp locations.

Incandescent version may be dimmed with a standard incandescent dimmer. LED version may be dimmed with a LED dimmer. Consult lamp manufacturer for additional information.

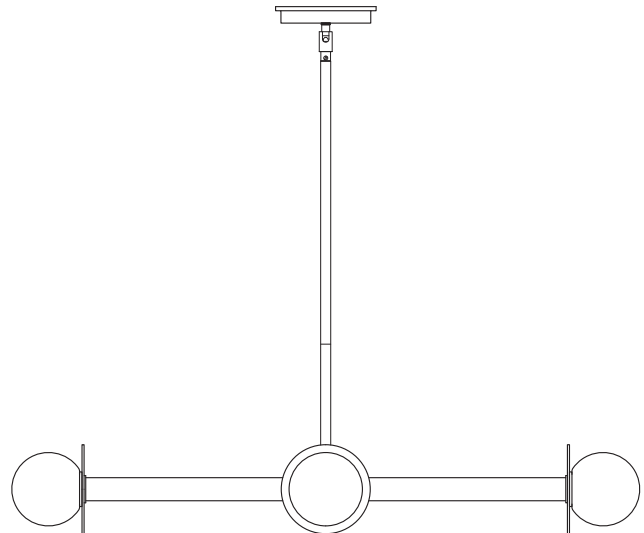
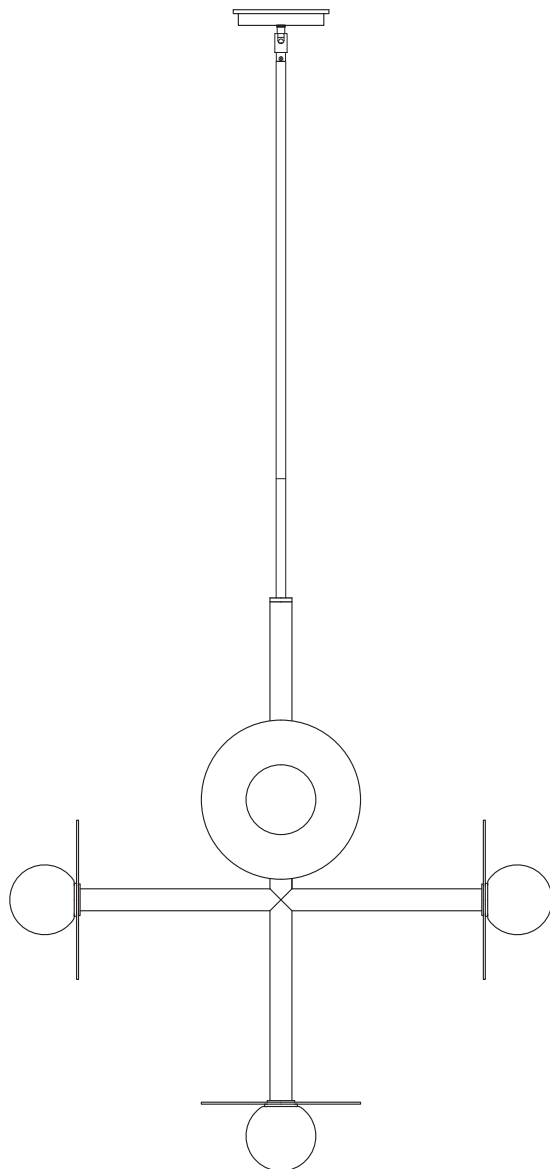
This instruction shows a typical installation.

SAVE THESE INSTRUCTIONS!

CAUTION - RISK OF FIRE

This product must be installed in accordance with the applicable installation code by a person familiar with the construction and operation of the product and the hazards involved.

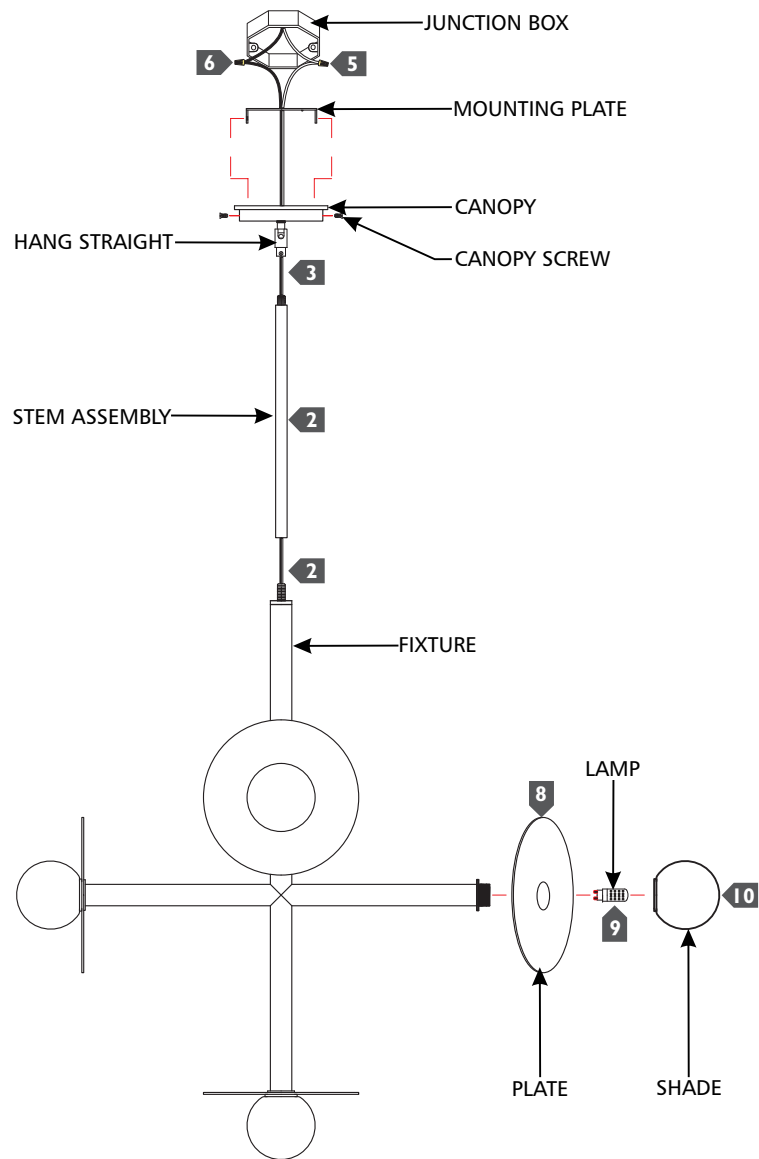
Use minimum 90°C supply conductors.



GENERATION LIGHTING
7400 Linder Ave., Skokie, IL 60077
T 847.410.4400 | F 847.410.4500
www.generationlighting.com

Install the Fixture

IA



- 1** Secure the mounting plate to the junction box.
- 2** Determine the wanted height or look of the fixture with the provided stems, assemble them by screwing them together, and screw the stem assembly onto the fixture.
- 3** Feed the fixture wires through the hang straight and canopy, then screw the canopy onto the stem assembly.
- 4** Connect the fixture to a suitable ground in accordance to local electrical codes.
- 5** Connect the white fixture wire (square and/or rigid) to the neutral power line wire with a wire nut.
- 6** Connect the black fixture wire (round and/or smooth) to the hot power line wire with a wire nut.
- 7** Neatly place all the wires into the junction box, place the canopy onto the mounting plate, and secure it in place using the canopy screws.
- 8** Screw the plate onto the socket. Repeat for remaining plates.
- 9** Screw the lamps into the sockets. Refer to the label on the socket for Max Wattage Information.
- 10** Install the shade by screwing it onto the socket. Repeat for remaining shades.