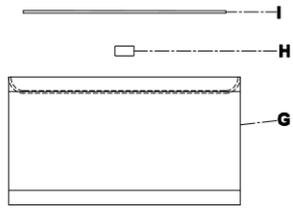
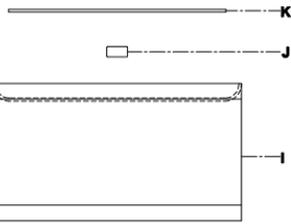
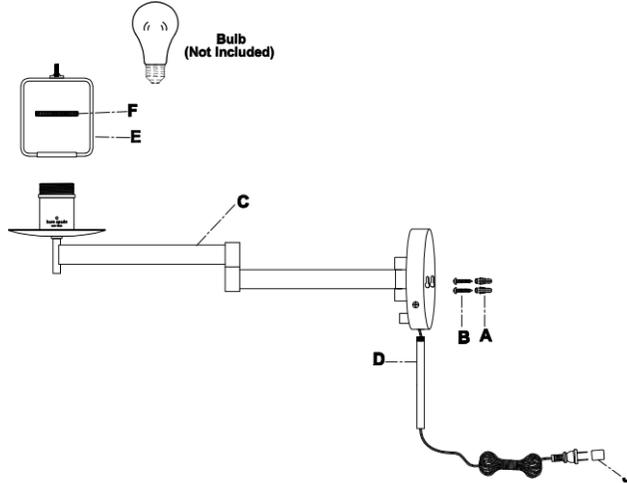


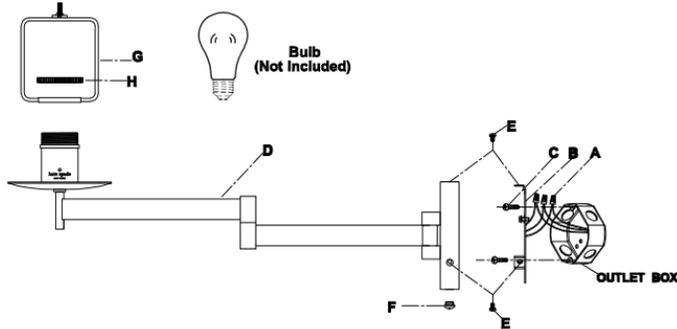
ASSEMBLY INSTRUCTIONS



CORD COVER MOUNTING OPTION (Fig.1)



DIRECT WIRE MOUNTING PLAT (Fig.2)



Walker Swing Arm Sconce

Item # KS2075

WE RECOMMEND INSTALLATION OF THIS LIGHTING FIXTURE BE DONE BY A LICENSED ELECTRICIAN.

WARNING***SWITCH OFF THE MAIN ELECTRICAL SUPPLY FROM THE MAIN FUSE BOX/ CIRCUIT BREAKER BEFORE INSTALLATION.

INSPECT ITEM CAREFULLY BEFORE ATTEMPTING TO INSTALL. IF THERE IS ANY DAMAGE OR OBVIOUS DEFECT. DO NOT INSTALL.

ITEM MAY NOT BE RETURNED ONCE IT HAS BEEN INSTALLED.

NOTE: CAREFULLY UNPACK EACH PIECE IN TOP LAYER OF PACKING PRIOR TO REMOVING. RETAIN ALL PACKING MATERIAL UNTIL INSPECTION AND INSTALLATION ARE FINAL.

*** (CORD COVER ASSEMBLY) *** (See Fig.1)

- Carefully remove all parts from the box.
- Screw thread nipple of cord cover (D) into bottom threaded opening of backplate.
- Measure centre points between both mounting holes at back of fixture base. Mark two points with same distance on the wall, make sure they are vertical with each other.
- Drill small holes at both points, holes should be big enough to accommodate with plastic anchors (A). Install plastic anchors (A) into the holes in the wall.
- Insert mounting screws (B) into plastic anchors (A), make sure screwhead 1/8" threads are visible.
- Hook fixture base onto both screws (B).
- Install the holder (E) to the socket cup by twist the ring (F)
- Insert bulb (not included) into the socket.
- Install the shade (G), finial (H) and diffuser (I) to the fixture.
- Remove protective plug cover (J) from the plug.
- Plug into a proper electrical outlet and test the fixture.
- Installation is complete, turn on power at fuse or circuit breaker.

*** (DIRECT WIRE INSTALLATION) *** (See Fig.2)

We strongly recommended that a professional electrician install the fixture.

- Follow step 1 of the CORD COVER ASSEMBLY
- Guide wiring from wall outlet through centre hole in mounting plate (B)
- Affix mounting plate (B) to wall outlet box with mounting screws (C). Cut fixture cord twelve inch away from fixture base and remove by grasping plug and pulling out of cord cover (D).
- Connect the ground screw (green color) of the fixture to the bare copper ground wire in the outlet box. The insulation on the fixture cord that was cut to twelve inches in length in step 3 has a smooth side and ribbed side. Connect the smooth wire to the black wire in the outlet box (not shown in diagram) by wire nuts (A). Connect the ribbed wire to the white wire in the outlet box by wiring nuts (A).
- Attach fixture base to the affixed mounting plate (B), and secure with base screws (E).
- Thread the thread pitch (F) into bottom threaded opening of fixture base.
- Follow steps 7,8,9 of CORD COVER ASSEMBLY

***Clean with a dry, soft cloth only. Use no harsh abrasives or chemical agents.

