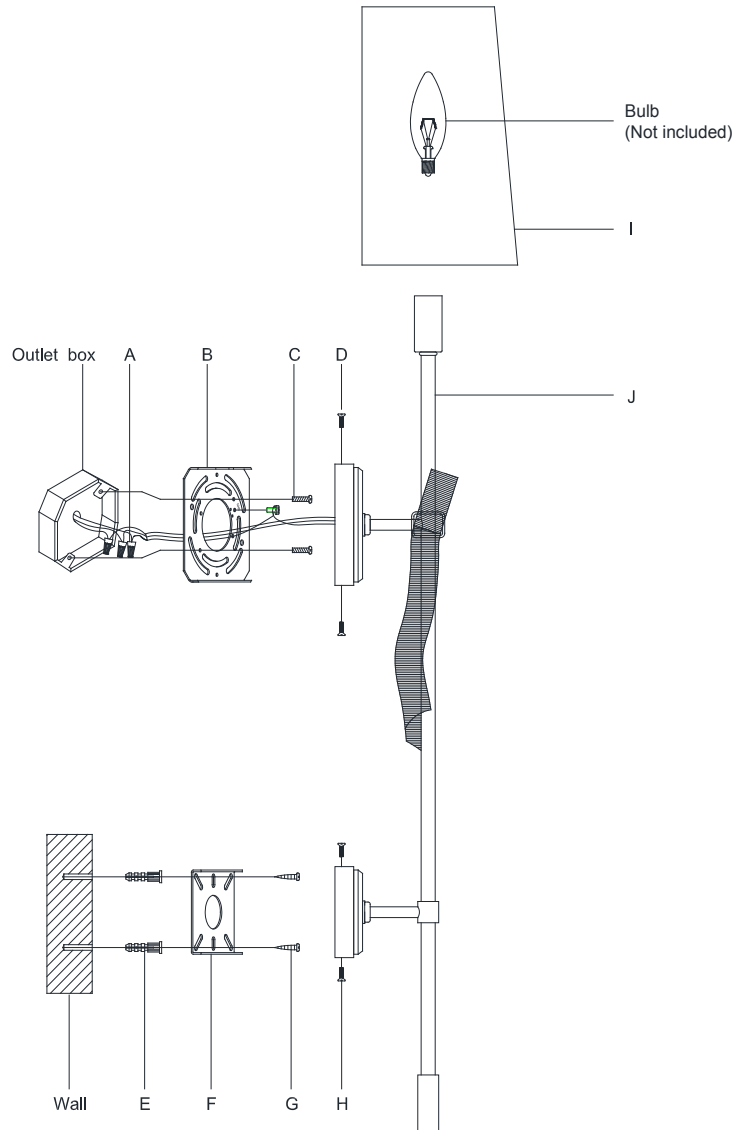


ASSEMBLY INSTRUCTIONS



Ellery Tail Sconce

Item # KS 2117

WE RECOMMEND INSTALLATION OF THIS LIGHTING FIXTURE BE DONE BY A LICENSED ELECTRICIAN.

WARNING***SWITCH OFF THE MAIN ELECTRICAL SUPPLY FROM THE MAIN FUSE BOX/CIRCUIT BREAKER BEFORE INSTALLATION.

INSPECT ITEM CAREFULLY BEFORE ATTEMPTING TO INSTALL. IF THERE IS ANY DAMAGE OR OBVIOUS DEFECT. DO NOT INSTALL.

ITEM MAY NOT BE RETURNED ONCE IT HAS BEEN INSTALLED.

1. Carefully remove all parts from the box.
2. Remove the mounting plate (B) & (F) from the fixture (J) by loosening the side screws (D) & (H).
3. With the fixture dimension as a guide, drill 2 holes on the wall.
4. Knock the anchors (E) into the wall holes.
5. Affix mounting plate (B) onto the outlet box and secure with mounting screws (C).
6. Affix mounting plate (F) onto the wall and secure with mounting screws (G).
7. Connect the hot wire (BLACK) from the fixture to the hot wire from the outlet box (usually BLACK). Fasten them together with a plastic wire connector (A) provided and wrap the connection with electrical tape.
8. Connect the neutral wire (WHITE) from the fixture to the wire from the outlet box (usually WHITE).
- DO NOT REVERSE THE HOT AND NEUTRAL CONNECTIONS OR SAFETY WILL BE COMPROMISED.
9. Connect ground wire from the fixture (bare copper) to ground wire from the outlet box (usually green or copper in color).
- IT IS IMPERATIVE THAT THIS FIXTURE BE GROUNDED.
10. Attach the fixture (J) onto the mounting plate (B) & (F) and secure with the side screws (D) & (H).
11. Place the shade (I) onto the fixture (J).
12. Insert bulb (not included) into the socket.
13. Installation is complete, turn on power at fuse or circuit breaker.

***Clean with a dry, soft cloth only. Use no harsh abrasives or chemical agents.



VISUAL COMFORT & Co. Est. 1987