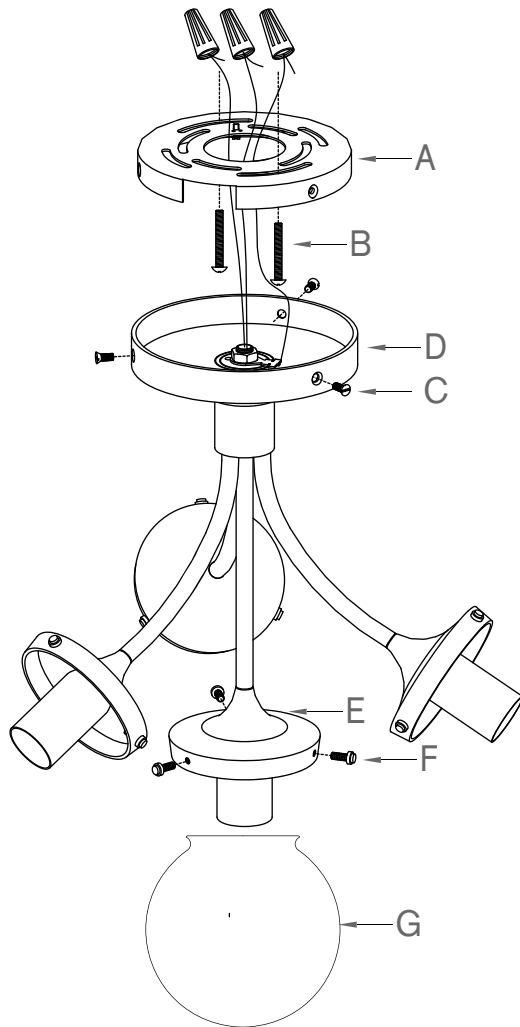


ASSEMBLY INSTRUCTIONS



Prescott Large Semi-Flush Mount
Item # KS 4407

WE RECOMMEND INSTALLATION OF THIS LIGHTING FIXTURE BE DONE BY A LICENSED ELECTRICIAN.

WARNING * SWITCH OFF THE MAIN ELECTRICAL SUPPLY FROM THE MAIN FUSE BOX/CIRCUIT BREAKER BEFORE INSTALLATION.**

INSPECT ITEM CAREFULLY BEFORE ATTEMPTING TO INSTALL. IF THERE IS ANY DAMAGE OR OBVIOUS DEFECT, DO NOT INSTALL.

ITEM MAY NOT BE RETURNED ONCE IT HAS BEEN INSTALLED.

1. Carefully remove all parts from the carton.
2. Remove mounting plate (A) from canopy (D) by removing base screws (C) in counter-clockwise direction.
3. Affix mounting plate (A) to ceiling outlet box with mounting screws (B) provided.
4. Attach ground (green or green/yellow) wire to ground wire from wall outlet box (usually green or copper in color), fasten together with a plastic wire connector. Tightly wrap the wire connector with electrical tape, so the end of the connector is sealed. IT IS IMPERATIVE THAT THE OUTLET BOX IN YOUR HOME BE PROPERLY GROUNDED.
5. Connect neutral (white) fixture wire coming from fixture base to neutral (usually white) outlet wire. Fasten both wires together with a plastic wire connector and tightly wrap the wire connector with electrical tape.
6. Repeat the procedure with the hot (black) wires. Always make sure that no wire strands are left outside the connectors. DO NOT REVERSE THE HOT AND NEUTRAL CONNECTIONS OTHERWISE SAFETY WILL BE UNCOMPROMISED.
7. Insert light bulbs into sockets.
8. Loosen set screws (F), attach glass shade (G) (packed separately) to shade holder (E) and secure by tightening set screws (F). DO NOT OVER TIGHTEN OTHERWISE THE GLASS WILL BE DAMAGED.
9. Restore power and test fixture. Installation is completed.

*** Clean with a dry, soft cloth only. Use no harsh abrasives or chemical agents.