

ASSEMBLY INSTRUCTIONS

Utopia Large Linear Pendant

Item # KW 5550

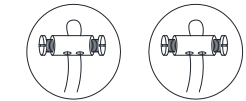
WE RECOMMEND INSTALLATION OF THIS LIGHTING FIXTURE BE DONE BY A LICENSED ELECTRICIAN.

WARNING*SWITCH OFF THE MAIN ELECTRICAL SUPPLY FROM THE MAIN FUSE BOX/CIRCUIT BREAKER BEFORE INSTALLATION.**

INSPECT ITEM CAREFULLY BEFORE ATTEMPTING TO INSTALL. IF THERE IS ANY DAMAGE OR OBVIOUS DEFECT. DO NOT INSTALL.

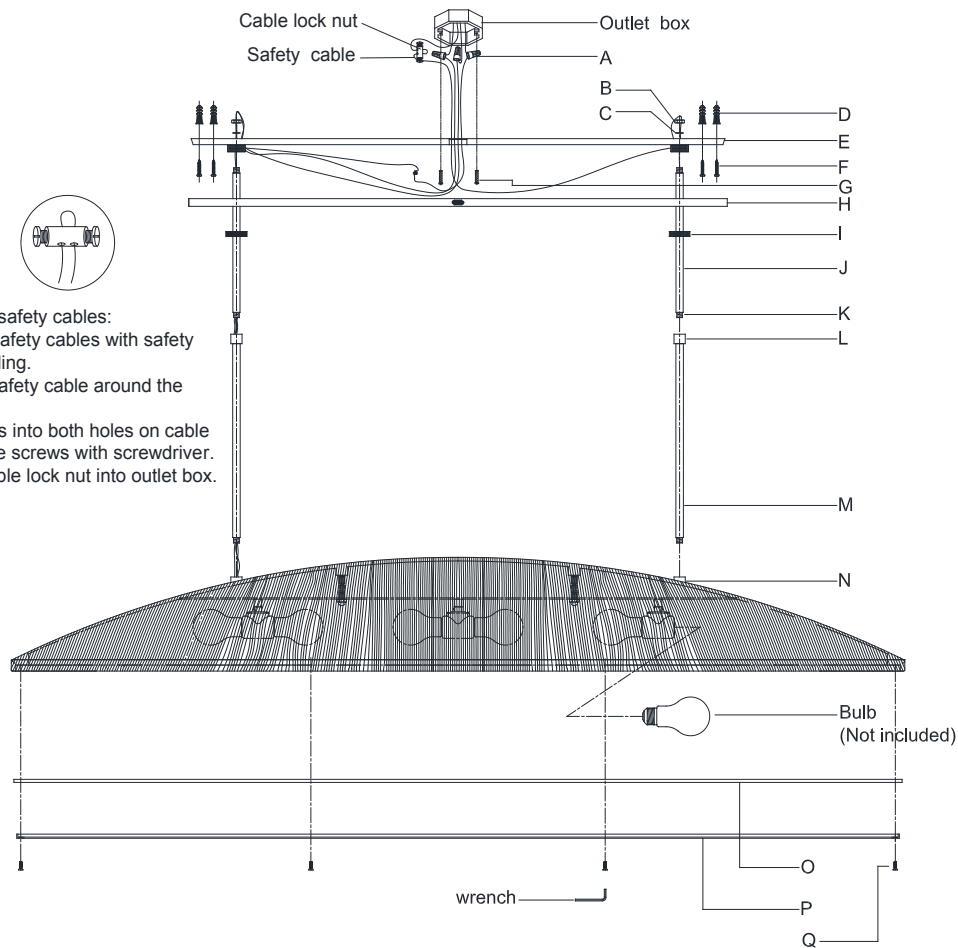
ITEM MAY NOT BE RETURNED ONCE IT HAS BEEN INSTALLED.

NOTE: CAREFULLY UNPACK EACH PIECE IN TOP LAYER OF PACKING PRIOR TO REMOVING. RETAIN ALL PACKING MATERIAL UNTIL INSPECTION AND INSTALLATION ARE FINAL.



TO assemble safety cables:

1. Join fixture safety cables with safety cable from ceiling.
2. Wrap both safety cable around the cable lock nut.
3. Insert screws into both holes on cable lock nut, secure screws with screwdriver.
4. Push the cable lock nut into outlet box.



1. Carefully remove all parts from the box.
2. Remove the mounting plate (E) from the canopy (H) by loosening the lock collar (I).
3. Drill 4 holes on the ceiling and make sure the hole distance will match to the mounting plate (E) holes exactly.
4. Knock the anchors (D) into the ceiling holes.
5. Thread tube (M) to the fixture body (N).
6. Let the threaded nipple (K) pass through the tube (J), then thread to the connector (L).
7. Let the lock collar (I) and canopy (H) pass through the tube (J).
8. Attach the mounting plate (E) to the threaded nipple (K) and secure with lock washer (C) and lock nut (B).
9. Install the mounting plate (E) to the outlet box by mounting screws (G) provided, then secure the screws (F) to the anchors (D).
10. Connect the fixture ground (bare) wire with the ground wire from the outlet box using wire nut (A). If your house does not have ground wire, then attach this wire to the green grounding screw inside of the outlet box.
11. Connect the fixture Neutral wire (ribbed, no markings) with the neutral wire from the outlet box using wire nut (A).
12. Connect the fixture Hot (smooth edge, markings) wire with the hot wire from the outlet box using wire nut (A).

IT IS IMPERATIVE THAT THIS FIXTURE BE GROUNDED.
DO NOT REVERSE THE HOT AND NEUTRAL CONNECTIONS OR SAFETY WILL BE COMPROMISED.



ASSEMBLY INSTRUCTIONS

Utopia Large Linear Pendant

Item # KW 5550

WE RECOMMEND INSTALLATION OF THIS LIGHTING FIXTURE BE DONE BY A LICENSED ELECTRICIAN.

WARNING*SWITCH OFF THE MAIN ELECTRICAL SUPPLY FROM THE MAIN FUSE BOX/CIRCUIT BREAKER BEFORE INSTALLATION.**

INSPECT ITEM CAREFULLY BEFORE ATTEMPTING TO INSTALL. IF THERE IS ANY DAMAGE OR OBVIOUS DEFECT. DO NOT INSTALL.

ITEM MAY NOT BE RETURNED ONCE IT HAS BEEN INSTALLED.

NOTE: CAREFULLY UNPACK EACH PIECE IN TOP LAYER OF PACKING PRIOR TO REMOVING. RETAIN ALL PACKING MATERIAL UNTIL INSPECTION AND INSTALLATION ARE FINAL.

13. Tuck these wire connections neatly into the outlet box to secure.

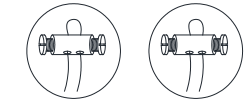
14. Put canopy (H) to mounting plate (E), and secure with lock collar (I).

15. Insert bulbs (not included) into the sockets.

16. Put the acrylic diffuser (O) onto the metal frame (P), then attach the metal frame to the bottom of the fixture body and secure with screws (Q) by using wrench provided.

17. Installation is complete, turn on power at fuse or circuit breaker.

***Clean with a dry, soft cloth only. Use no harsh abrasives or chemical agents.



TO assemble safety cables:

1. Join fixture safety cables with safety cable from ceiling.
2. Wrap both safety cable around the cable lock nut.
3. Insert screws into both holes on cable lock nut, secure screws with screwdriver.
4. Push the cable lock nut into outlet box.

