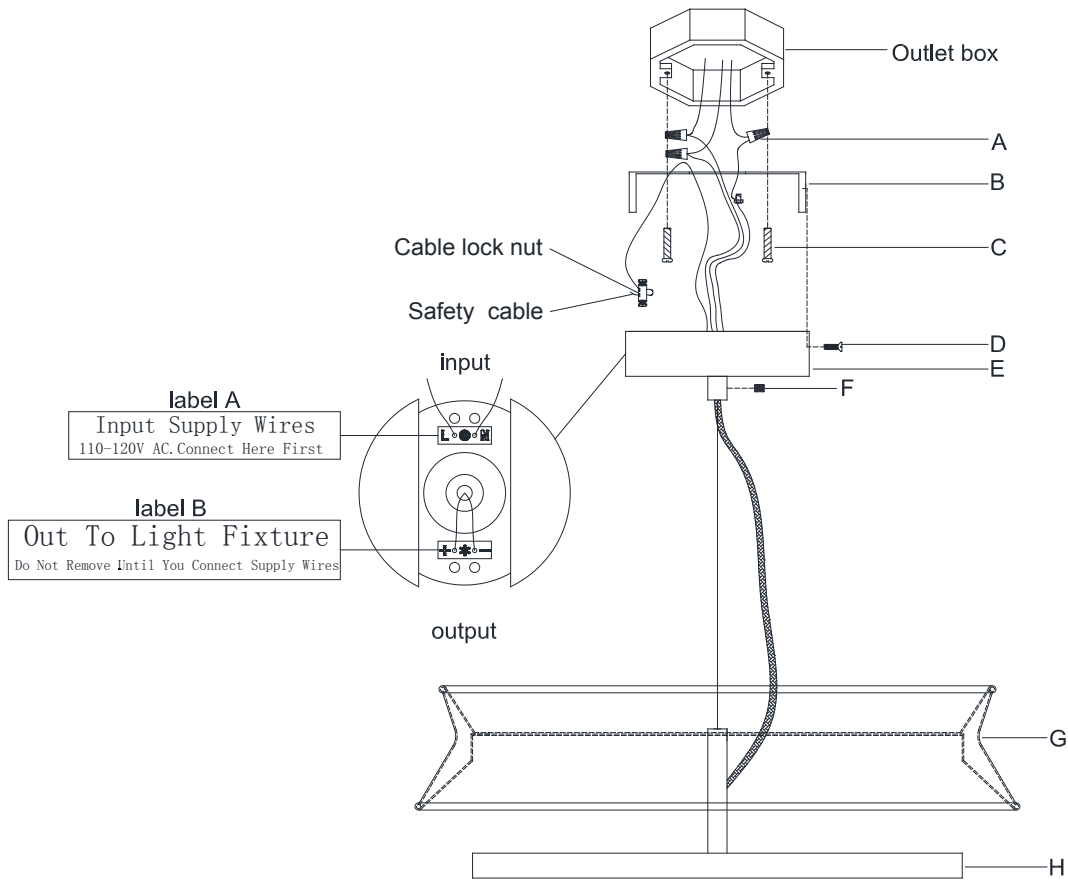


ASSEMBLY INSTRUCTIONS



60/40 Dot 16" Pendant

Item # PB 5020

WE RECOMMEND INSTALLATION OF THIS LIGHTING FIXTURE BE DONE BY A LICENSED ELECTRICIAN.

WARNING*SWITCH OFF THE MAIN ELECTRICAL SUPPLY FROM THE MAIN FUSE BOX/CIRCUIT BREAKER BEFORE INSTALLATION.**

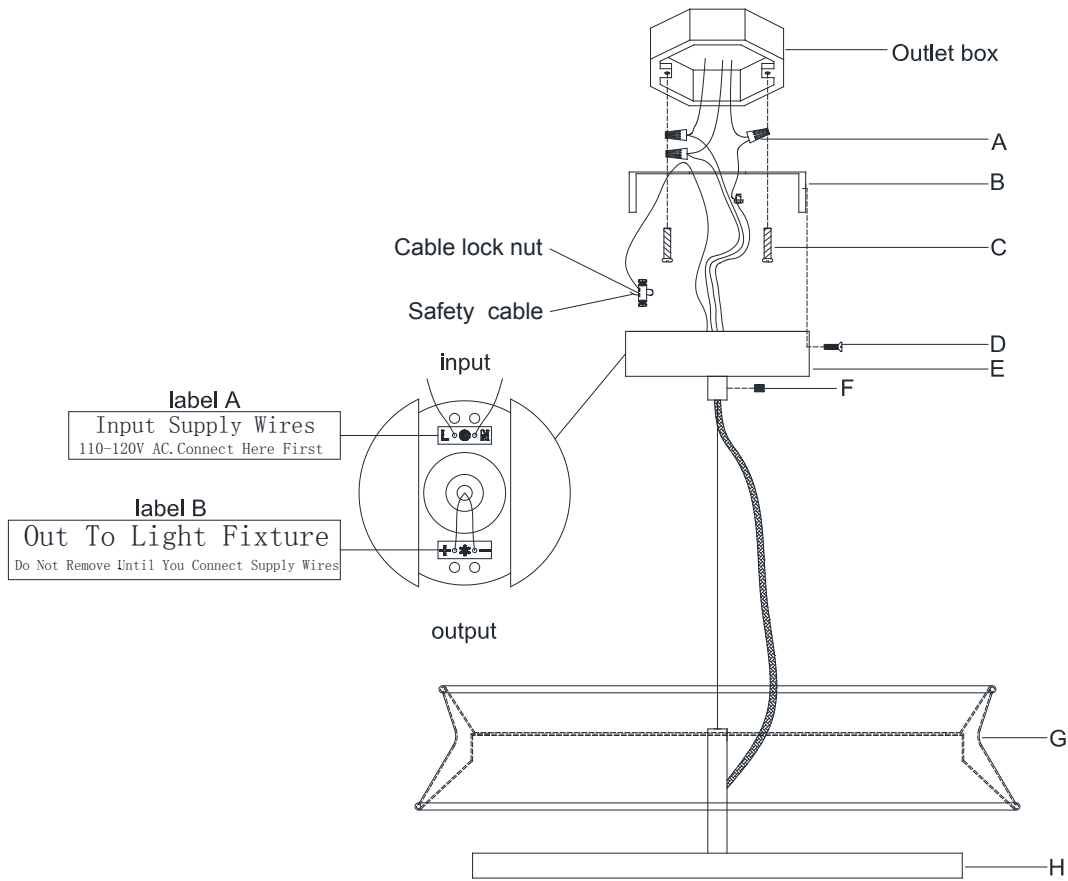
INSPECT ITEM CAREFULLY BEFORE ATTEMPTING TO INSTALL. IF THERE IS ANY DAMAGE OR OBVIOUS DEFECT. DO NOT INSTALL.

ITEM MAY NOT BE RETURNED ONCE IT HAS BEEN INSTALLED.

NOTE: CAREFULLY UNPACK EACH PIECE IN TOP LAYER OF PACKING PRIOR TO REMOVING. RETAIN ALL PACKING MATERIAL UNTIL INSPECTION AND INSTALLATION ARE FINAL.

- Carefully remove all parts from the box.
- Remove the mounting plate (B) from the canopy (E) by loosening side screws (D).
- Affix mounting plate (B) onto the outlet box and secure with mounting screws (C).
- Loosen the screw (F) on the canopy connector, adjust the height of the fixture hanging cable to the desired height, then secure the screw (F).
- Put the metal ring (G) on the LED plate (H).
- Tear off label B on the driver. Insert the fixture Hot wire (black) into hole (marked "+") on driver, then insert the fixture Neutral wire (white) into hole (marked "-") on driver. IT IS IMPORTANT TO NOT MIX THESE WIRES.
- Tear off label A on the driver. Insert the jump Hot wire (smooth edge, markings) into hole (marked "L") on driver, then insert the jump Neutral wire (ribbed, no markings) into hole (marked "N") on driver.
- Connect the fixture Ground (bare) wire with the ground wire from the outlet box using wire nut (A). If your house does not have ground wire, then attach this wire to the green grounding screw inside of the outlet box. IT IS IMPERATIVE THAT THIS FIXTURE BE GROUNDED.
- Connect the jump Neutral wire (ribbed, no markings) with the neutral wire from the outlet box using wire nut (A).
- Connect the jump Hot wire (smooth edge, markings) with the hot wire from the outlet box using wire nut (A). DO NOT REVERSE THE HOT AND NEUTRAL CONNECTIONS OR SAFETY WILL BE COMPROMISED.

ASSEMBLY INSTRUCTIONS



60/40 Dot 16" Pendant

Item # PB 5020

WE RECOMMEND INSTALLATION OF THIS LIGHTING FIXTURE BE DONE BY A LICENSED ELECTRICIAN.

WARNING***SWITCH OFF THE MAIN ELECTRICAL SUPPLY FROM THE MAIN FUSE BOX/CIRCUIT BREAKER BEFORE INSTALLATION.

INSPECT ITEM CAREFULLY BEFORE ATTEMPTING TO INSTALL. IF THERE IS ANY DAMAGE OR OBVIOUS DEFECT. DO NOT INSTALL.

ITEM MAY NOT BE RETURNED ONCE IT HAS BEEN INSTALLED.

NOTE: CAREFULLY UNPACK EACH PIECE IN TOP LAYER OF PACKING PRIOR TO REMOVING. RETAIN ALL PACKING MATERIAL UNTIL INSPECTION AND INSTALLATION ARE FINAL.

11. Tuck these wire connections neatly into the outlet box to secure.

12. Attach canopy (E) to the mounting plate (B) and secure with side screws (D).

13. Installation is complete, turn on power at fuse or circuit breaker.

***Clean with a dry, soft cloth only. Use no harsh abrasives or chemical agents.