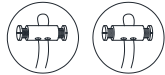
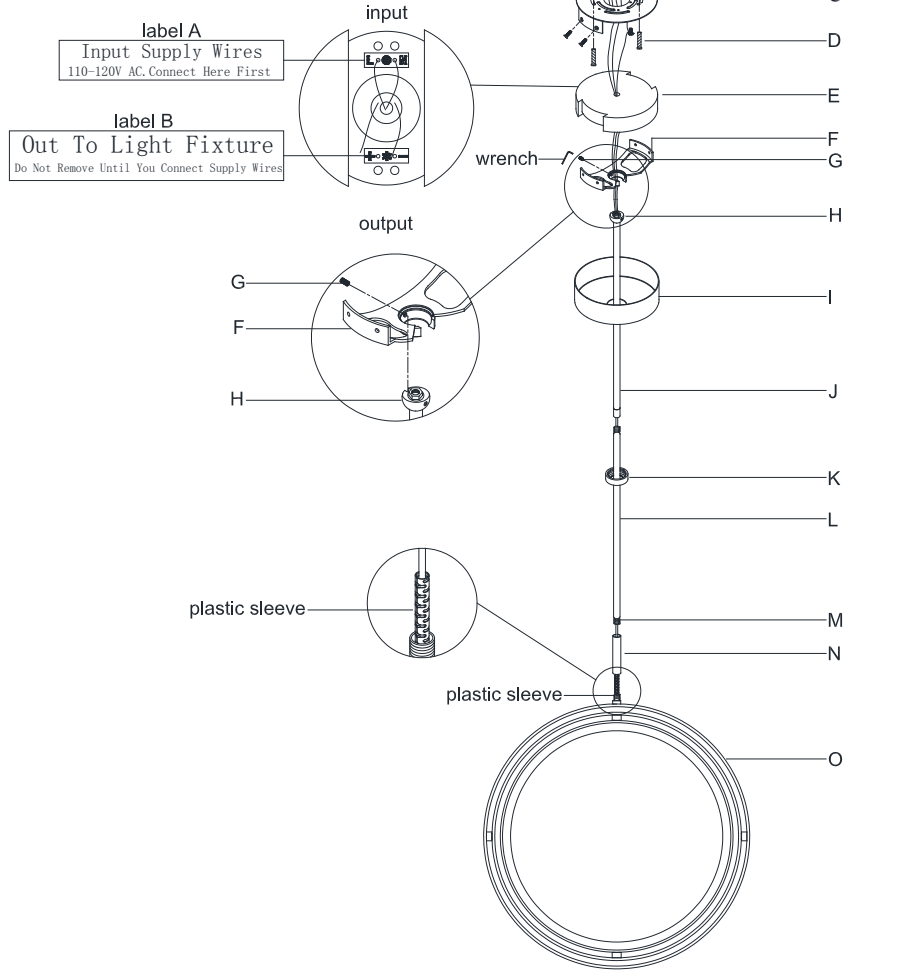


# ASSEMBLY INSTRUCTIONS



- TO assemble safety cables:
1. Join fixture safety cables with safety cable from ceiling.
  2. Wrap both safety cable around the cable lock nut.
  3. Insert screws into both holes on cable lock nut, secure screws with screwdriver.
  4. Push the cable lock nut into outlet box.



**label A**  
Input Supply Wires  
110-120V AC. Connect Here First

**label B**  
Out To Light Fixture  
Do Not Remove Until You Connect Supply Wires

## Orbit 16" Swiveling Pendant

Item # PB 5115

**WE RECOMMEND INSTALLATION OF THIS LIGHTING FIXTURE BE DONE BY A LICENSED ELECTRICIAN.**

**WARNING\*\*\*SWITCH OFF THE MAIN ELECTRICAL SUPPLY FROM THE MAIN FUSE BOX/CIRCUIT BREAKER BEFORE INSTALLATION.**

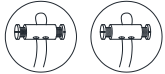
**INSPECT ITEM CAREFULLY BEFORE ATTEMPTING TO INSTALL. IF THERE IS ANY DAMAGE OR OBVIOUS DEFECT. DO NOT INSTALL.**

**ITEM MAY NOT BE RETURNED ONCE IT HAS BEEN INSTALLED.**

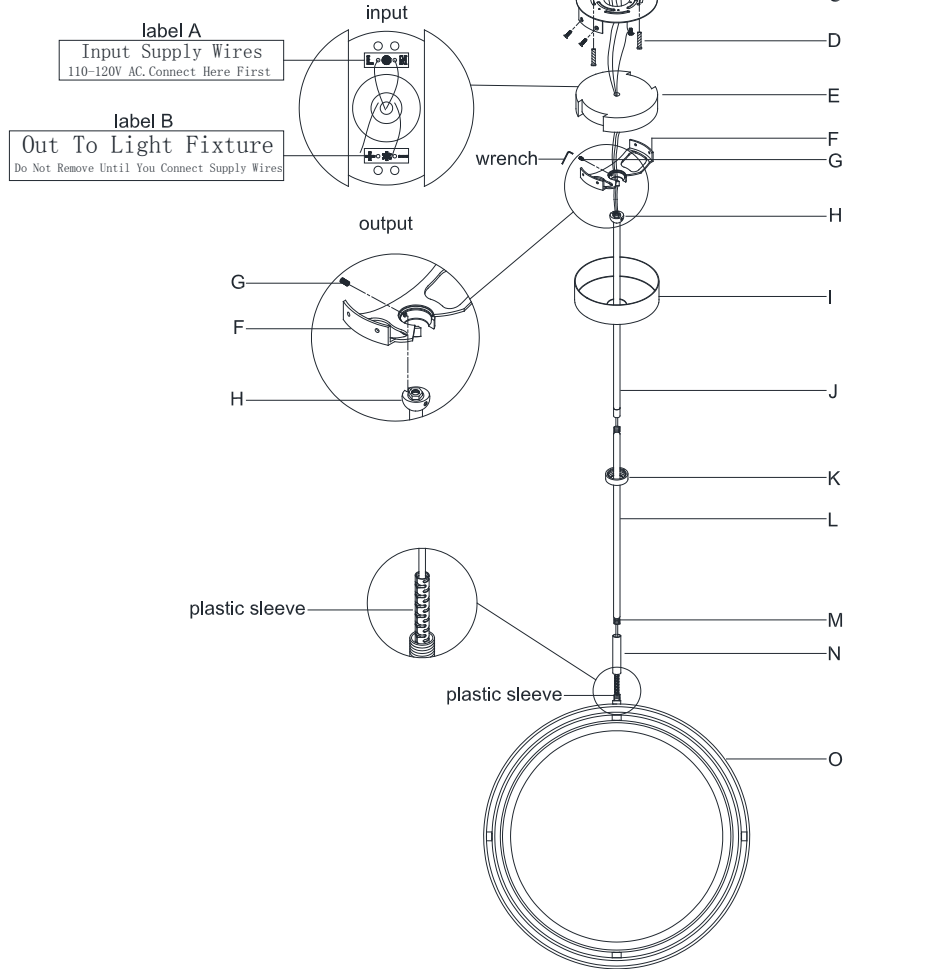
**NOTE: CAREFULLY UNPACK EACH PIECE IN TOP LAYER OF PACKING PRIOR TO REMOVING. RETAIN ALL PACKING MATERIAL UNTIL INSPECTION AND INSTALLATION ARE FINAL.**

1. Carefully remove all parts from the box. Then remove the plastic sleeve on the top of the fixture body (O) before assembling.
2. Remove the canopy (I) from the bracket (F) by loosening lock collar (K).
3. Remove the mounting plate (C) from the bracket (F) by loosening side screws (B).
4. Affix mounting plate (C) onto the outlet box and secure with mounting screws (D).
5. Connect outlet box ground wire to the green grounding screw on mounting plate (C).  
IT IS IMPERATIVE THAT THIS FIXTURE BE GROUNDED.
6. Let the fixture wire pass through the tube (N), threaded nipple (M), tube (L), lock collar (K), tube (J) and canopy (I).
7. Thread tube (N) to the fixture body (O), then thread threaded nipple (M) to the tube (N), then thread the tube (J) to the tube (L).
8. Attach the bracket (F) to the connector (H), then secure the screw (G) to the gap on the connector (H) by using the wrench.
9. Tear off label A on the driver (E). Insert the jump Hot wire (smooth edge, markings) into hole (marked "L") on driver (E), then insert the jump Neutral wire (ribbed, no markings) into hole (marked "N") on driver (E). Pass jump wire through driver (E).
10. Connect the jump Neutral wire (ribbed, no markings) with the neutral wire from the outlet box using wire nut (A).

# ASSEMBLY INSTRUCTIONS



- TO assemble safety cables:
1. Join fixture safety cables with safety cable from ceiling.
  2. Wrap both safety cable around the cable lock nut.
  3. Insert screws into both holes on cable lock nut, secure screws with screwdriver.
  4. Push the cable lock nut into outlet box.



## Orbit 16" Swiveling Pendant

Item # PB 5115

WE RECOMMEND INSTALLATION OF THIS LIGHTING FIXTURE BE DONE BY A LICENSED ELECTRICIAN.

**WARNING\*\*\*SWITCH OFF THE MAIN ELECTRICAL SUPPLY FROM THE MAIN FUSE BOX/CIRCUIT BREAKER BEFORE INSTALLATION.**

**INSPECT ITEM CAREFULLY BEFORE ATTEMPTING TO INSTALL. IF THERE IS ANY DAMAGE OR OBVIOUS DEFECT. DO NOT INSTALL.**

**ITEM MAY NOT BE RETURNED ONCE IT HAS BEEN INSTALLED.**

**NOTE: CAREFULLY UNPACK EACH PIECE IN TOP LAYER OF PACKING PRIOR TO REMOVING. RETAIN ALL PACKING MATERIAL UNTIL INSPECTION AND INSTALLATION ARE FINAL.**

11. Connect the jump Hot wire (smooth edge, markings) with the hot wire from the outlet box using wire nut (A).

DO NOT REVERSE THE HOT AND NEUTRAL CONNECTIONS OR SAFETY WILL BE COMPROMISED.

12. Tuck these wire connections neatly into the outlet box to secure.

13. With assistance, raise assembled fixture body with bracket (F) to mounting plate (C) and secure with side screws (B).

14. Tear off label B on the driver (E). Insert the fixture Hot wire into hole (marked "+") on driver (E), then insert the fixture Neutral wire into hole (marked "-") on driver (E). IT IS IMPORTANT TO NOT MIX THESE WIRES.

15. Attach canopy (I) to the bracket (F) and secure with lock collar (K).

16. Installation is complete, turn on power at fuse or circuit breaker.

\*\*\*Clean with a dry, soft cloth only. Use no harsh abrasives or chemical agents.