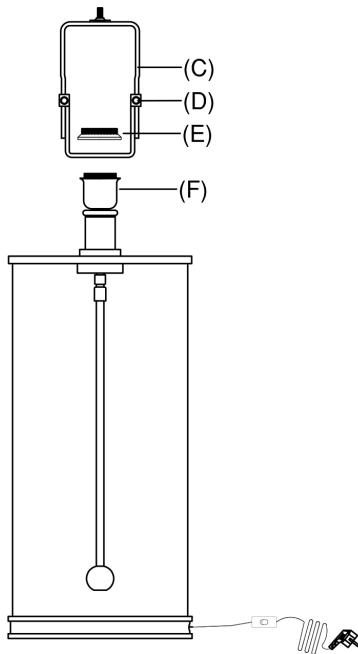
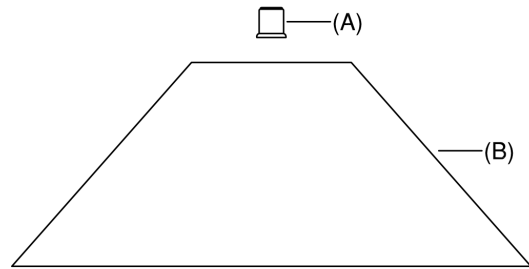


RL11167

ASSEMBLY & INSTALLATION GUIDE



INSPECT ITEM CAREFULLY BEFORE ATTEMPTING TO INSTALL. IF THERE IS ANY DAMAGE OR OBVIOUS DEFECT, DO NOT INSTALL.

ITEM MAY NOT BE RETURNED ONCE IT HAS BEEN INSTALLED.

1. Remove socket ring (E) from threaded section of socket (F).
2. Attach bottom ring of harp (C) over top threaded section of socket (F) and secure with socket ring (E).
3. Remove finial (A) from harp (C). Place shade (B) over the bolt attached on the top of harp. Screw finial (A) onto the bolt to secure shade to the harp.
4. Insert light bulb into socket.
5. Plug lamp into electrical outlet.
6. ADJUSTMENT INSTRUCTIONS:
 1. Loosen adjustment knobs (D) at both sides of harp (C).
 2. Adjust harp (C), up or down, to get desired height. The socket (F) should not show under shade (B) when the harp is adjusted correctly.
 3. Carefully tighten knobs (D).
7. CAUTION:

If the external cable is damaged, it must be replaced by the manufacturer or its service agent or similar qualified person in order to avoid hazard.
8. DISPOSAL:

Do not dispose of electrical appliances as unsorted municipal waste, use separate collection facilities. Contact your local government for information regarding the collection systems available. If electrical appliances are disposed of in landfills or dumps, hazardous substances can leak into the groundwater and get into the food chain, damaging your health and well-being.

R A L P H L A U R E N