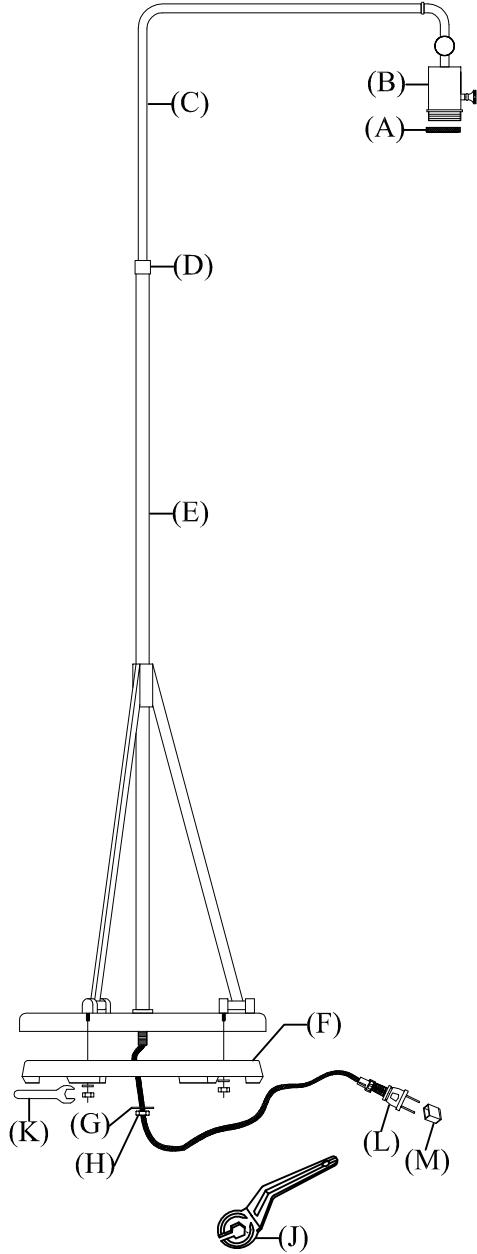


RL1500

ASSEMBLY & INSTALLATION GUIDE



INSPECT ITEM CAREFULLY BEFORE ATTEMPTING TO INSTALL. IF THERE IS ANY DAMAGE OR OBVIOUS DEFECT, DO NOT INSTALL.

ITEM MAY NOT BE RETURNED ONCE IT HAS BEEN INSTALLED.

1. Join parts (E) & (F) together, letting threaded rod on bottom of pole (E) pass through the center holes of base (F), slide washers (G) over threaded rod, follow with hex-nuts (H) and tighten hex-nut with wrench (J) and open end wrench (K) provided.
2. Remove socket ring (A) from socket (B). Place lamp shade (not included) onto the socket, and tighten with socket ring.
3. Insert light bulb into socket
4. Remove plastic cover (M) from electrical plug (L)
5. Plug lamp into wall outlet.
6. ADJUSTMENT INSTRUCTIONS:
 - 1- Loosen adjustment collar (D).
 - 2- Adjust lamp by pulling or pushing upper pole (C) up or down to desired height.
 - 3- Tighten the adjustment collar.

R A L P H L A U R E N