

RL2085

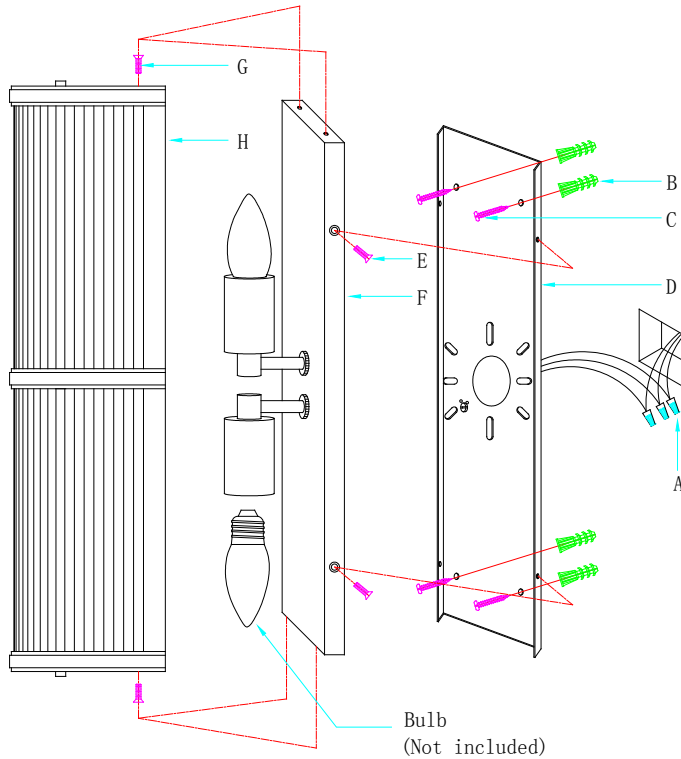
ASSEMBLY & INSTALLATION GUIDE

WE RECOMMEND INSTALLATION OF THIS LIGHTING FIXTURE BE DONE BY A LICENSED ELECTRICIAN.

WARNING * SWITCH OFF THE MAIN ELECTRICAL SUPPLY FROM THE MAIN FUSE BOX/CIRCUIT BREAKER BEFORE INSTALLATION.**

INSPECT ITEM CAREFULLY BEFORE ATTEMPTING TO INSTALL. IF THERE IS ANY DAMAGE OR OBVIOUS DEFECT, DO NOT INSTALL.

ITEM MAY NOT BE RETURNED ONCE IT HAS BEEN INSTALLED.



1. Remove back plate (D) from fixture base (F) by unscrewing screws (E).
2. Install the back plate (D) into the wall by the expansion pipe (B) & screw (C).
3. Separate the two cords carefully and identify the Live & Neutral wire.
4. Connect the Ground (bare) fixture wire with the ground (usually bare) wire from wall outlet box using wire nut (A). If there is no ground wire, then attach this wire to the green grounding screw on mounting plate (B).
5. IT IS IMPERATIVE THAT THE J-BOX IN YOUR HOME BE PROPERLY GROUNDED
6. Connect the Neutral fixture wire with the Neutral (usually white) wire from the outlet box using wire nut (A).
7. Connect the Hot (smooth edge, markings, or black) fixture wire with the Hot (usually black) wire from the outlet box using wire nut (A).
8. DO NOT REVERSE THE HOT AND NEUTRAL CONNECTIONS OR SAFETY WILL BE COMPROMISED
9. Attach fixture base (F) to affixed back plate (D), land secure with screws (E).
10. Attach the brass frame (H) to the fixture base (F) and secure with screws (G).
11. Insert light bulbs (not included) into sockets.
12. Installation is complete.

RALPH LAUREN