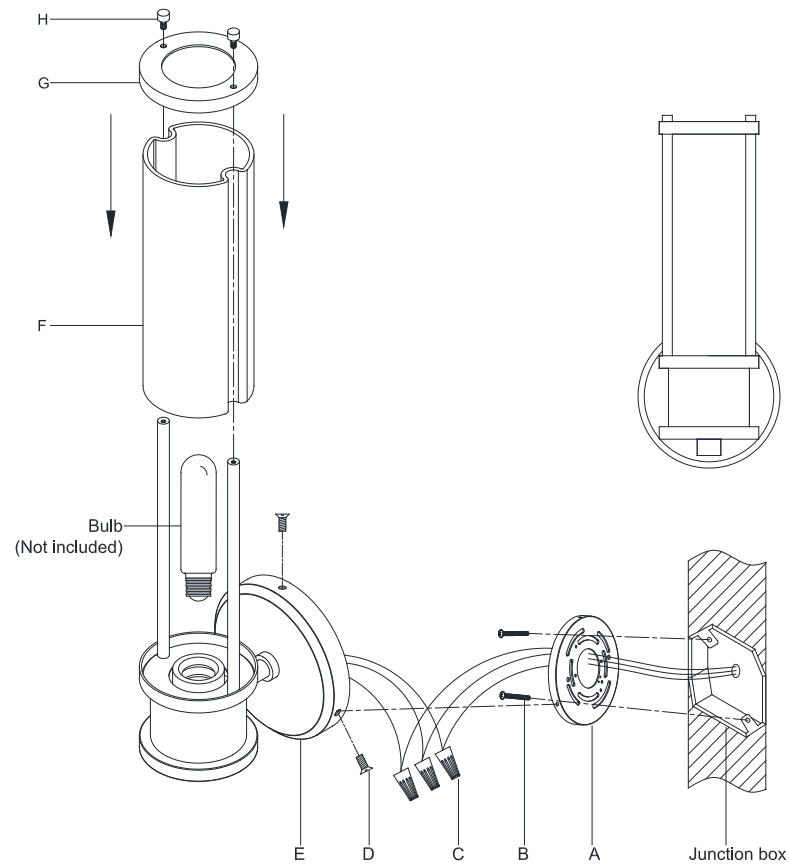


## ASSEMBLY INSTRUCTIONS



### Lichfield Single Sconce

Item # RL 2092

**WE RECOMMEND INSTALLATION OF THIS LIGHTING FIXTURE BE DONE BY A LICENSED ELECTRICIAN.**

**WARNING\*\*\*SWITCH OFF THE MAIN ELECTRICAL SUPPLY FROM THE MAIN FUSE BOX/CIRCUIT BREAKER BEFORE INSTALLATION.**

**INSPECT ITEM CAREFULLY BEFORE ATTEMPTING TO INSTALL. IF THERE IS ANY DAMAGE OR OBVIOUS DEFECT. DO NOT INSTALL.**

**ITEM MAY NOT BE RETURNED ONCE IT HAS BEEN INSTALLED.**

**NOTE: CAREFULLY UNPACK EACH PIECE IN TOP LAYER OF PACKING PRIOR TO REMOVING. RETAIN ALL PACKING MATERIAL UNTIL INSPECTION AND INSTALLATION ARE FINAL.**

1. Carefully remove all parts from the box.
  2. Remove the mounting plate (A) from the fixture backplate (E) by loosening the side screws (D).
  3. Affix the mounting plate (A) onto the junction box and secure with the mounting screws (B).
  4. Wrap the fixture ground wire to the green ground screw on the mounting plate (A) and secure, then connect to the junction box ground wire with the wire nut (C).
- IT IS IMPERATIVE THAT THIS FIXTURE BE GROUNDED.
5. Connect the fixture white wire to the junction box neutral wire with the wire nut (C).
  6. Connect the fixture black wire to the junction box hot wire with the wire nut (C).  
DO NOT REVERSE THE HOT AND NEUTRAL CONNECTIONS OR SAFETY WILL BE COMPROMISED.
  7. Tuck these wire connections neatly into the junction box carefully.
  8. Attach the fixture backplate (E) onto the mounting plate (A) and secure with the side screws (D).
  9. Remove the metal ring (G) from the fixture by loosening the thumbscrews (H).
  10. Insert bulb (not included) into the socket.
  11. Attach the glass shade (F) and metal ring (G) to the fixture and secure with the thumbscrews (H).
  12. Installation is complete, turn on power at fuse or circuit breaker.

\*\*\*Clean with a dry, soft cloth only. Use no harsh abrasives or chemical agents.



# RALPH LAUREN