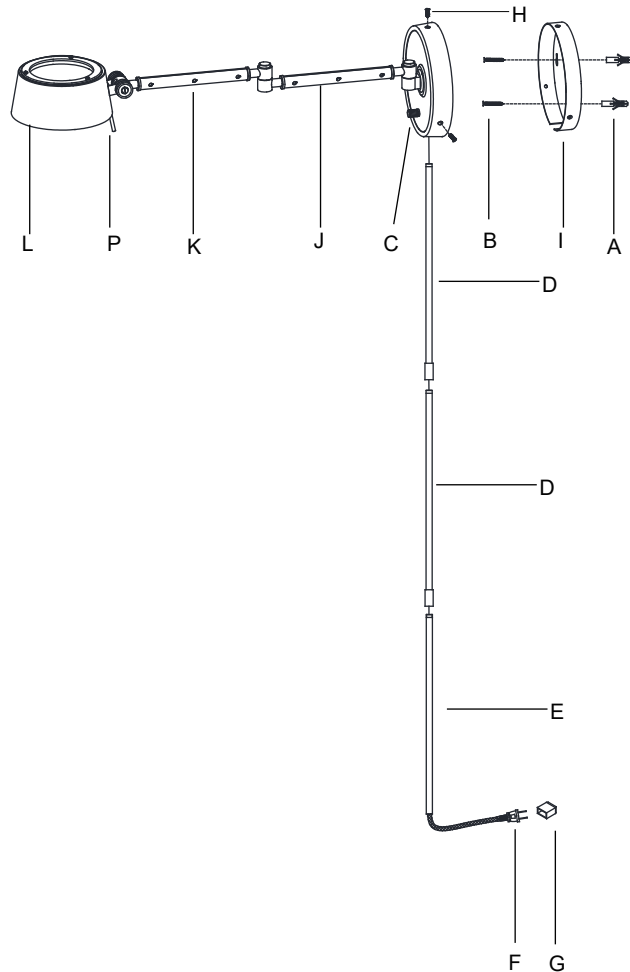


## ASSEMBLY INSTRUCTIONS

### Portable assembly



## Alaster Articulating Wall Light

Item # RL2170

**WE RECOMMEND INSTALLATION OF THIS LIGHTING FIXTURE BE DONE BY A LICENSED ELECTRICIAN.**

**WARNING\*\*\*SWITCH OFF THE MAIN ELECTRICAL SUPPLY FROM THE MAIN FUSE BOX/CIRCUIT BREAKER BEFORE INSTALLATION.**

**INSPECT ITEM CAREFULLY BEFORE ATTEMPTING TO INSTALL. IF THERE IS ANY DAMAGE OR OBVIOUS DEFECT. DO NOT INSTALL.**

**ITEM MAY NOT BE RETURNED ONCE IT HAS BEEN INSTALLED.**

**NOTE: CAREFULLY UNPACK EACH PIECE IN TOP LAYER OF PACKING PRIOR TO REMOVING. RETAIN ALL PACKING MATERIAL UNTIL INSPECTION AND INSTALLATION ARE FINAL.**

1. Carefully remove all parts from the box.
2. Remove the portable mounting plate (I) from the fixture base (C) by unscrewing the side screws (H).
3. Put the portable mounting plate (I) on the wall and mark the holes position with pencil (not included).
4. Drill holes on the wall and knock the anchors (A) into the holes.
5. Insert the wood screws (B) to the anchors (A) and leave the threads 1/8" out.
6. Hook the mounting plate (I) to the wood screws (B).
7. Install the fixture base (C) to the mounting plate (I) and secure with the side screws (H).
8. Install the cord cover rods (D) to the fixture base (C), then install the rod (E) to the rod (D).
9. Swing the arms (K) and (J) to desired angle.
10. Hold the handle (P) to adjust the shade (L) to desired angle.
11. Remove the protective plug cover (G) from the plug (F).
12. Plug into a proper electrical outlet and test the fixture.

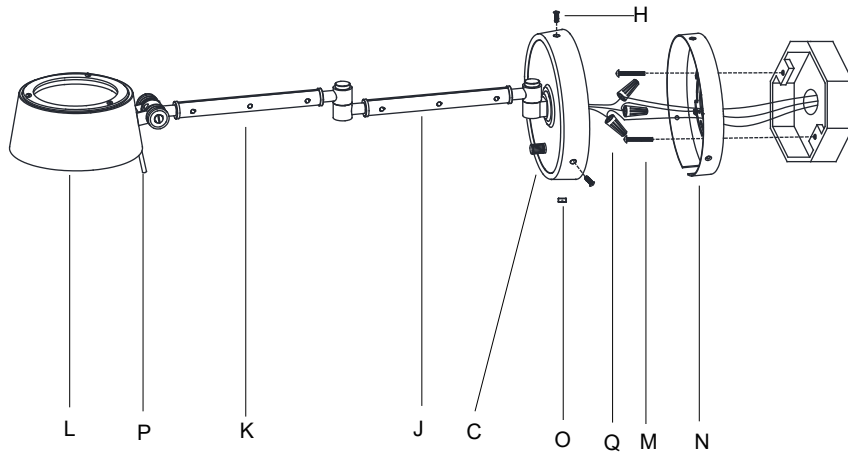
\*\*\*Clean with a dry, soft cloth only. Use no harsh abrasives or chemical agents.

# RALPH LAUREN



## ASSEMBLY INSTRUCTIONS

### Hardwire assembly



### Alaster Articulating Wall Light

Item # RL2170

**WE RECOMMEND INSTALLATION OF THIS LIGHTING FIXTURE BE DONE BY A LICENSED ELECTRICIAN.**

**WARNING\*\*\*SWITCH OFF THE MAIN ELECTRICAL SUPPLY FROM THE MAIN FUSE BOX/CIRCUIT BREAKER BEFORE INSTALLATION.**

**INSPECT ITEM CAREFULLY BEFORE ATTEMPTING TO INSTALL. IF THERE IS ANY DAMAGE OR OBVIOUS DEFECT. DO NOT INSTALL.**

**ITEM MAY NOT BE RETURNED ONCE IT HAS BEEN INSTALLED.**

**NOTE: CAREFULLY UNPACK EACH PIECE IN TOP LAYER OF PACKING PRIOR TO REMOVING. RETAIN ALL PACKING MATERIAL UNTIL INSPECTION AND INSTALLATION ARE FINAL.**

1. Carefully remove all parts from the box.
2. Remove the portable mounting plate (I) from the fixture base (C) by unscrewing the side screws (H).
3. Install the fixed mounting plate (N) to the junction box and secure with the mounting screws (M).
4. Remove the portable cord and cord cover rods by loosening the wire nuts (Q).
5. Insert the direct wire plug (O) into the wire exit on the bottom of the fixture base (C).
6. Wrap the fixture ground wire to the green ground screw on the fixed mounting plate (A) and secure, then connect to the ground wire in the junction box using the wire nut (Q).  
IT IS IMPERATIVE THAT THIS FIXTURE BE GROUNDED.
7. Connect the fixture white wire to the neutral wire in the junction box using the wire nut (Q).
8. Connect the fixture black wire to the hot wire in the junction box using the wire nut (Q).  
DO NOT REVERSE THE HOT AND NEUTRAL CONNECTIONS OTHERWISE SAFETY WILL BE COMPROMISED.
9. Swing the arms (K) and (J) to desired angle.
10. Hold the handle (P) to adjust the shade (L) to desired angle.
11. Installation is complete, turn on power at fuse or circuit breaker.

\*\*\*Clean with a dry, soft cloth only. Use no harsh abrasives or chemical agents.

# RALPH LAUREN

