

RL 2590

ASSEMBLY & INSTALLATION GUIDE

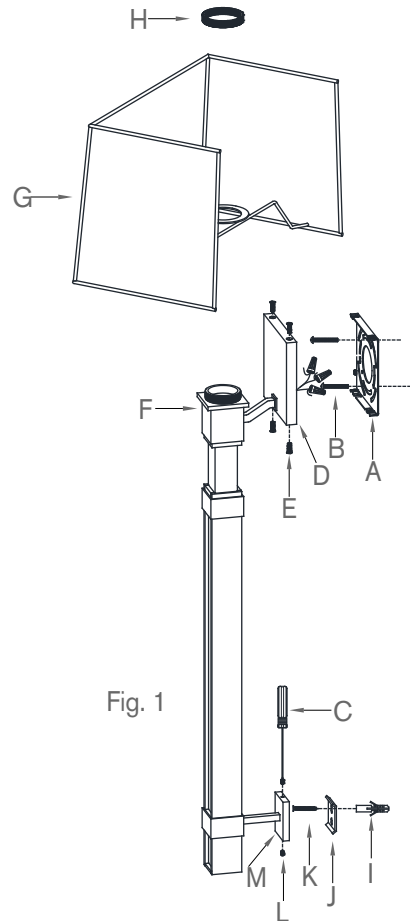


Fig. 1

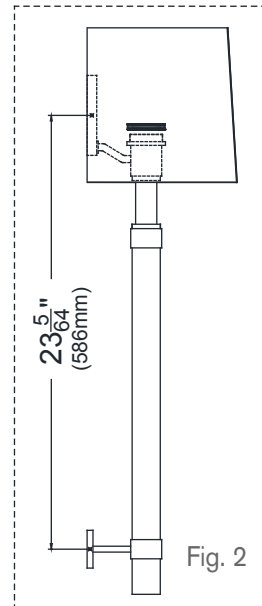
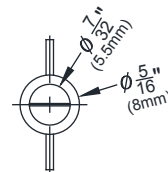
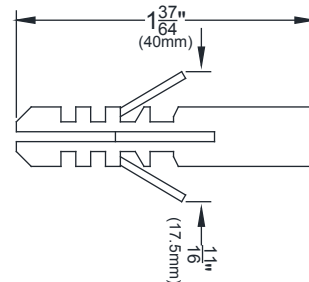


Fig. 2



WE RECOMMEND INSTALLATION OF THIS LIGHTING FIXTURE BE DONE BY A LICENSED ELECTRICIAN.

WARNING * SWITCH OFF THE MAIN ELECTRICAL SUPPLY FROM THE MAIN FUSE BOX/CIRCUIT BREAKER BEFORE INSTALLATION.**

INSPECT ITEM CAREFULLY BEFORE ATTEMPTING TO INSTALL. IF THERE IS ANY DAMAGE OR OBVIOUS DEFECT, DO NOT INSTALL.

ITEM MAY NOT BE RETURNED ONCE IT HAS BEEN INSTALLED.

- Carefully remove all parts from the carton.
- Remove mounting plate (A) from base of light fixture (D) by removing base screws (E)
- Attach fixture base (D) to wall outlet, mark outer line for base (M), make sure both base (M) and (D) are vertical to each other.
- Remove plate (J) from base (M) by unscrewing set screws (L) using Allen wrench (C).
- Place plate (J) to the marked area, mark a point on the wall for plate (J). Remove plate (J). Note: Refer to the image for the dimension.
- Drill a small hole the marked location, make sure the hole should be big enough to accommodate plastic anchor (I). Push the plastic anchor (I) into the holes in the wall.
Note: Refer to the image for the size of plastic anchor (I), the hole should be smaller than the plastic anchor (I).
- Attach plate (J) to the wall by align the hole and insert wood screw (K) into plastic anchor (I) to secure it on the wall.
- Affix mounting plate (A) to wall outlet box with mounting screws (B) provided.
- Attach ground (green or green/yellow) wire to ground wire from wall outlet box (usually green or copper in color), fasten together with a plastic wire connector. Tightly wrap the wire connector with electrical tape, so the end of the connector is sealed. IT IS IMPERATIVE THAT THE OUTLET BOX IN YOUR HOME BE PROPERLY GROUNDED.
- Connect both neutral (white) fixture wires coming from fixture base to neutral (usually white) outlet wire. Fasten three wires together with a plastic wire connector and tightly wrap the wire connector with electrical tape.
- Repeat the same procedure with the hot (black) wires. Always make sure that no wire strands are left outside the connectors. DO NOT REVERSE THE HOT AND NEUTRAL CONNECTIONS OTHERWISE SAFETY WILL BE COMPROMISED.
- Attach fixture base (D) to the affixed mounting plate (A) and secure with base screws (E); attach base (M) to plate (J) and secure with set screw (L). Tighten with Allen wrench (C).
- Remove socket ring (H) from socket (F), attach shade (G) onto the socket (F) and secure with socket ring (H).
- Insert light bulb (not included) into the socket.
- Restore power and test fixture. Installation is complete.

*** Clean with a dry, soft cloth only. Use no harsh abrasives or chemical agents.



RALPH LAUREN