

ASSEMBLY INSTRUCTIONS

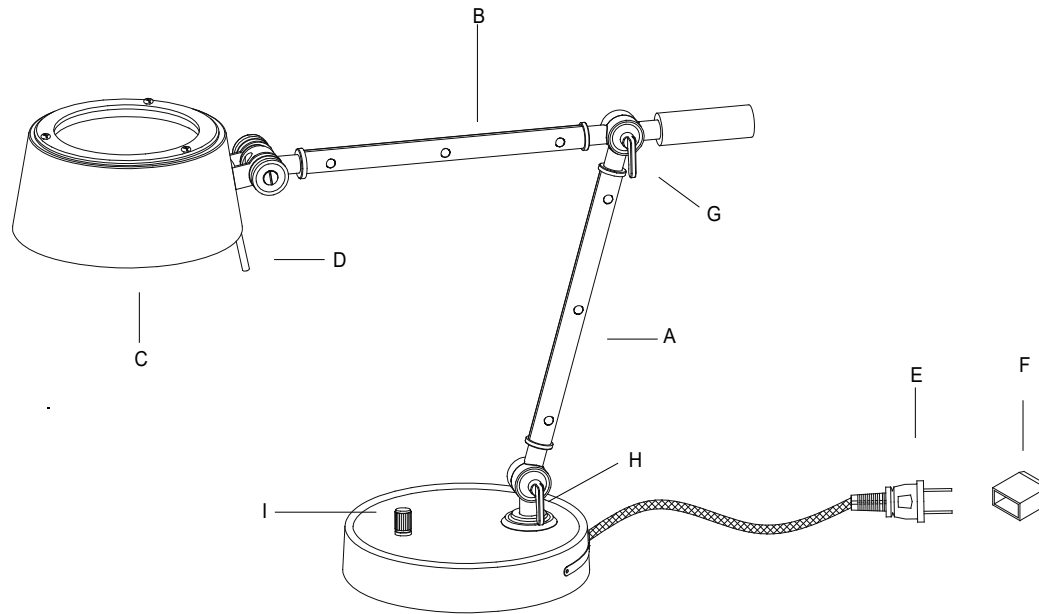
Alaster Task Lamp

Item # RL 3172

INSPECT ITEM CAREFULLY BEFORE ATTEMPTING TO INSTALL. IF THERE IS ANY DAMAGE OR OBVIOUS DEFECT. DO NOT INSTALL.

ITEM MAY NOT BE RETURNED ONCE IT HAS BEEN INSTALLED.

NOTE: CAREFULLY UNPACK EACH PIECE IN TOP LAYER OF PACKING PRIOR TO REMOVING. RETAIN ALL PACKING MATERIAL UNTIL INSPECTION AND INSTALLATION ARE FINAL.



1. Carefully remove all parts from the box.
2. Loosening the adjustment knob (H) and adjust arm (A) to the desired angle then lock tight the adjustment knob (H).
3. Loosening the adjustment knob (G) and adjust arm (B) to the desired angle then lock tight the adjustment knob (G).
4. Hold the handle (D) to adjust the shade (C) to desired angle.
5. Remove the protective plug cover (F) from the plug (E).
6. Plug into a proper electrical outlet and test the fixture.
7. Turn the switch knob and adjust to desired light.
8. Installation is complete.

***Clean with a dry, soft cloth only. Use no harsh abrasives or chemical agents.



RALPH LAUREN