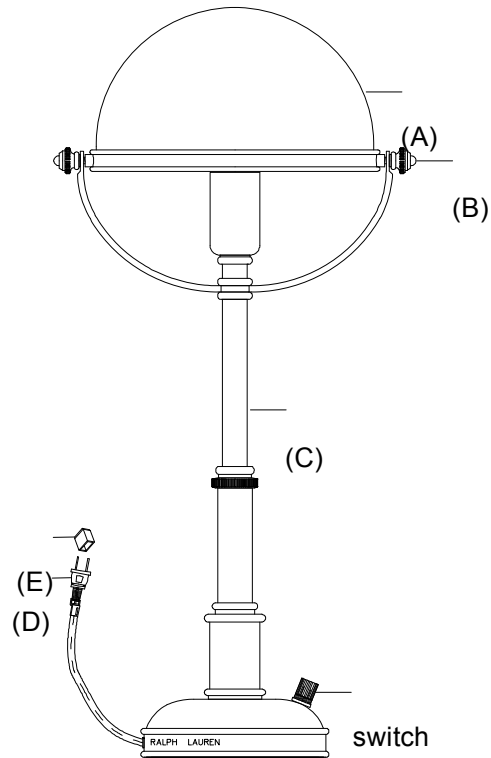


# RL3805

## ASSEMBLY & INSTALLATION GUIDE

**INSPECT ITEM CAREFULLY BEFORE ATTEMPTING TO INSTALL. IF THERE IS ANY DAMAGE OR OBVIOUS DEFECT, DO NOT INSTALL.**

**ITEM MAY NOT BE RETURNED ONCE IT HAS BEEN INSTALLED.**



1. Insert light bulb into socket.
2. Remove protective plastic cover (E) from plug (D).
3. Plug lamp into wall outlet.
4. TO ADJUST LAMP HEIGHT:
  - 1- Adjust lamp by pulling or pushing pole (C) up or down to desired height.
5. TO ADJUST LAMP SHADE:
  - 1- Loosen the adjustment keys (B) on both side of shade (A).
  - 2- Swing lamp shade (A) to desired position.
  - 3- Tighten the adjustment key (B).

R A L P H L A U R E N