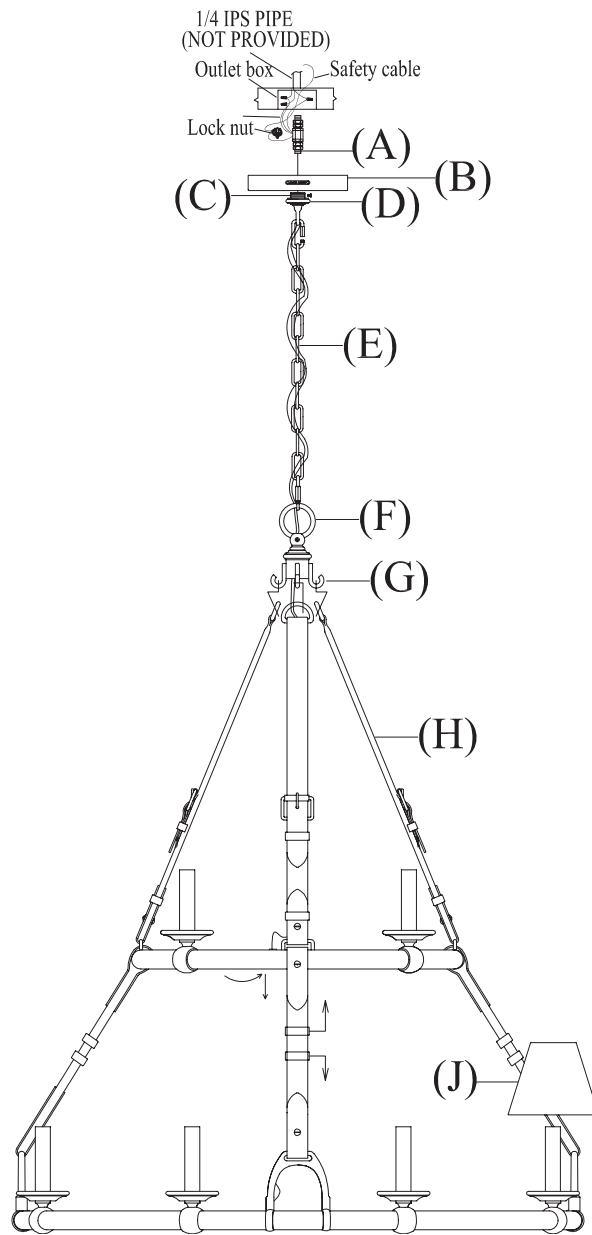


ASSEMBLY INSTRUCTIONS



Westbury Double Tier Chandelier

Item # RL5183

WE RECOMMEND INSTALLATION OF THIS LIGHTING FIXTURE BE DONE BY A LICENSED ELECTRICIAN.

WARNING * SWITCH OFF THE MAIN ELECTRICAL SUPPLY FROM THE MAIN FUSE BOX/CIRCUIT BREAKER BEFORE INSTALLATION.**

INSPECT ITEM CAREFULLY BEFORE ATTEMPTING TO INSTALL. IF THERE IS ANY DAMAGE OR OBVIOUS DEFECT, DO NOT INSTALL.

ITEM MAY NOT BE RETURNED ONCE IT HAS BEEN INSTALLED.

1. Attach chain (E) to top loop (F) on lantern.
2. Hook the assembly part (H) to the hook rack (G) and feed the wire through chain (E), mounting loop (C) and nipple (A).
3. Unscrew canopy ring (D), slide canopy ring (D) and canopy (B) on chain (E).
4. Connect the safety steel wire from the fixture and the safety cable from ceiling with lock nut.
5. Attach mounting loop (C) to thread nipple (A) using the ceiling loop screw.
6. Open the end link of chain and screw chain mounting loop (E) to the nipple using set screw and hook the chain (G) to mounting loop (E) by closing the end cut link.
7. Connect ground wire from the light fixture (bare copper) to ground wire green or copper in color). Fasten together with a plastic wire connector provided and tightly wrap the wire from ceiling outlet box (usually connector with electrical tape so the end of the connector is sealed.

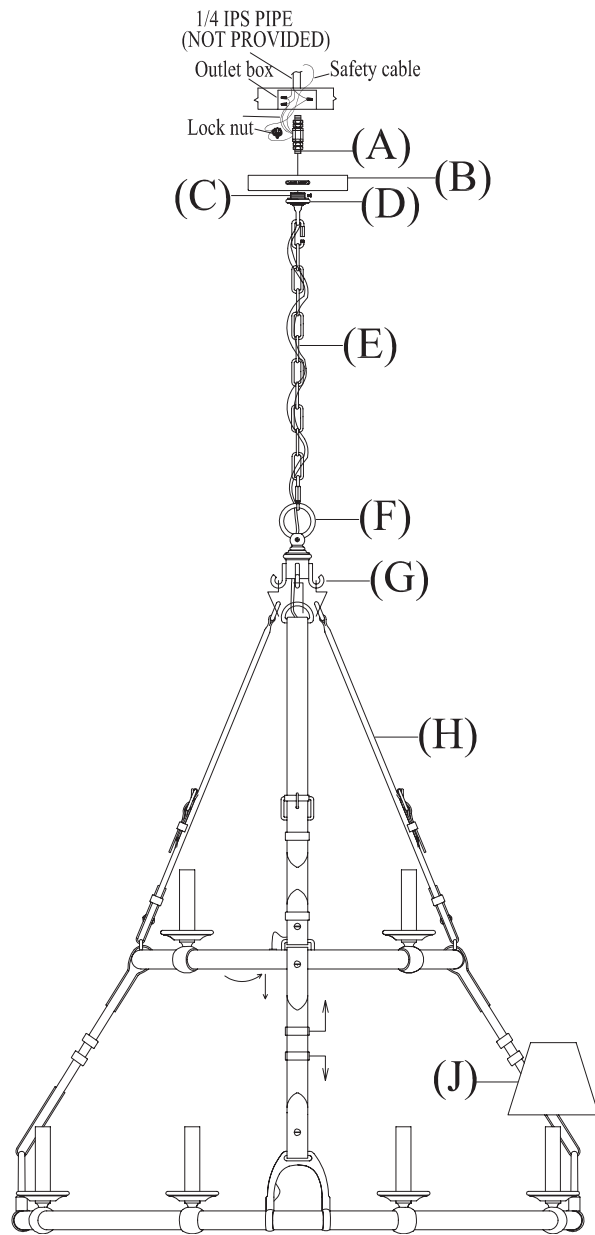
IT IS IMPERATIVE THAT THE OUTLET BOX IN YOUR HOME BE PROPERLY GROUNDED.

8. Connect both hot wires (smooth wire) from the fixture to the hot junction box wire from ceiling outlet box (usually BLACK). Fasten together with a plastic wire connector provided and tightly wrap wire connector with electrical tape.
9. Repeat this procedure for the neutral wires (ribbed wire) from the light fixture to the wire from ceiling outlet box (usually WHITE).
DO NOT REVERSE THE HOT AND NEUTRAL CONNECTIONS
OTHERWISE SAFETY WILL BE COMPROMISED.
10. Tuck wire connections neatly into ceiling outlet box.



RALPH LAUREN

ASSEMBLY INSTRUCTIONS



Westbury Double Tier Chandelier

Item # RL5183

WE RECOMMEND INSTALLATION OF THIS LIGHTING FIXTURE BE DONE BY A LICENSED ELECTRICIAN.

WARNING * SWITCH OFF THE MAIN ELECTRICAL SUPPLY FROM THE MAIN FUSE BOX/CIRCUIT BREAKER BEFORE INSTALLATION.**

INSPECT ITEM CAREFULLY BEFORE ATTEMPTING TO INSTALL. IF THERE IS ANY DAMAGE OR OBVIOUS DEFECT, DO NOT INSTALL.

ITEM MAY NOT BE RETURNED ONCE IT HAS BEEN INSTALLED.

11. Insert top thread nipple (A) in mounting 1/4 IPS pipe.
12. Slip canopy (B) to ceiling and secure with threaded canopy ring (D).
13. Insert light bulb into socket.
14. Attach lamp shades (J) onto light bulb.
15. Now installation is complete.
Return power to the junction box and test the fixture.



RALPH LAUREN