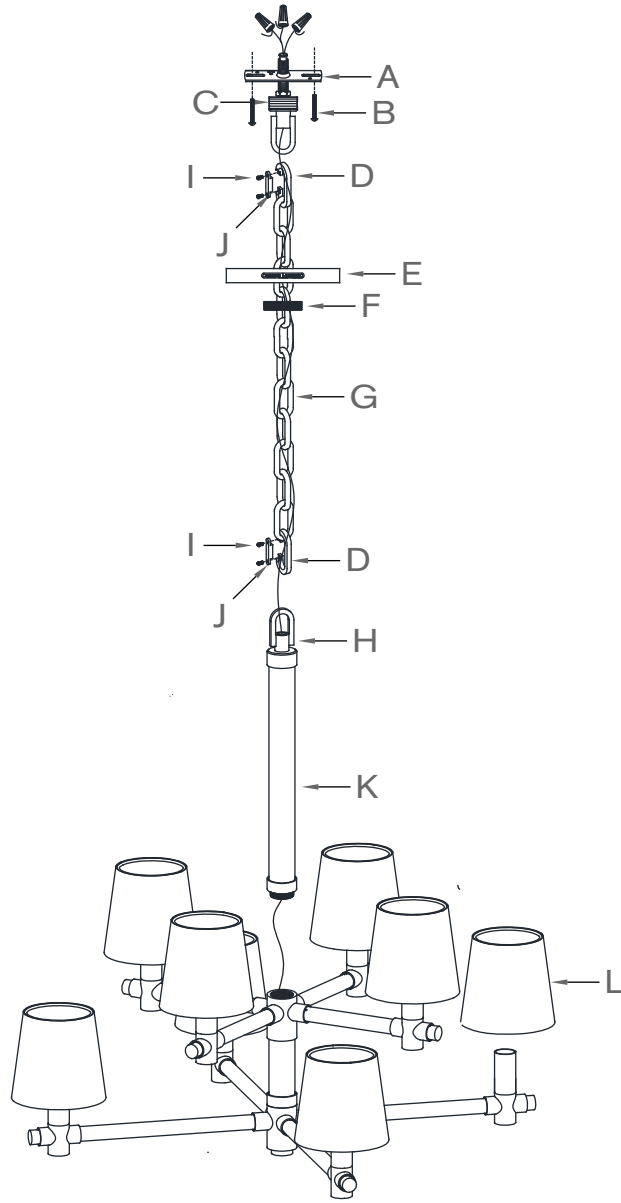


RL5330

ASSEMBLY & INSTALLATION GUIDE



WE RECOMMEND INSTALLATION OF THIS LIGHTING FIXTURE BE DONE BY A LICENSED ELECTRICIAN.

WARNING * SWITCH OFF THE MAIN ELECTRICAL SUPPLY FROM THE MAIN FUSE BOX/CIRCUIT BREAKER BEFORE INSTALLATION.**

INSPECT ITEM CAREFULLY BEFORE ATTEMPTING TO INSTALL. IF THERE IS ANY DAMAGE OR OBVIOUS DEFECT, DO NOT INSTALL.

ITEM MAY NOT BE RETURNED ONCE IT HAS BEEN INSTALLED.

1. Carefully remove all parts from the carton.
2. Feed the wire through the connection rod (K), thread the connection rod (K) onto the top center hole of light fixture by turning in a clockwise direction.
3. Remove canopy ring (F) from mounting loop (C) by turning in a clockwise direction.
4. Attach mounting strap (A) to ceiling outlet box and secure with mounting screws (B).
5. Slide canopy ring (F) and canopy (E) on chain (G).
6. Remove the metal covers (J) from closable links (D) by remove set screws (I), attach one of closable link (D) with hanging loop (H) together, the other closable link (D) with mounting loop (C) together and secure by replacing metal covers (J) to closable links . Tighten with set screws (I).
7. Feed wire through the chain (G), canopy ring (F), canopy (E) and mounting loop (C).
8. Attach the bare copper ground wire from the fixture to the ground junction box wire (usually green or copper), fasten together with a plastic wire connector. Tightly wrap the wire connector with electrical tape. Be sure no wire strands are exposed. **IT IS IMPERATIVE THAT THE OUTLET BOX IN YOUR HOME BE PROPERLY GROUNDED.**
9. Connect neutral wire from fixture (ribbed molded wire) to the neutral wire from the junction box (usually white) . Fasten both wires together with a plastic wire connector and tightly wrap the wire connector with electrical tape. Be sure no wire strands are exposed.
10. Connect the hot wire from the fixture (smooth wire) to the hot wire (usually black) from the junction box. Fasten both together with a plastic wire connector and wrap the connection with electrical tape. **DO NOT REVERSE THE HOT AND NEUTRAL CONNECTIONS OTHERWISE SAFETY WILL BE COMPROMISED.**
11. Tuck the wire connections neatly into the ceiling outlet box.
12. Slip canopy (E) to mounting strap (A) and secure with canopy ring (F).
13. Insert light bulbs (not included) into sockets.
14. Clip shades (L) onto the light bulbs.
15. Restore power and test fixture. Installation is complete.

*** Clean with a dry, soft cloth only. Use no harsh abrasives or chemical agents.



RALPH LAUREN