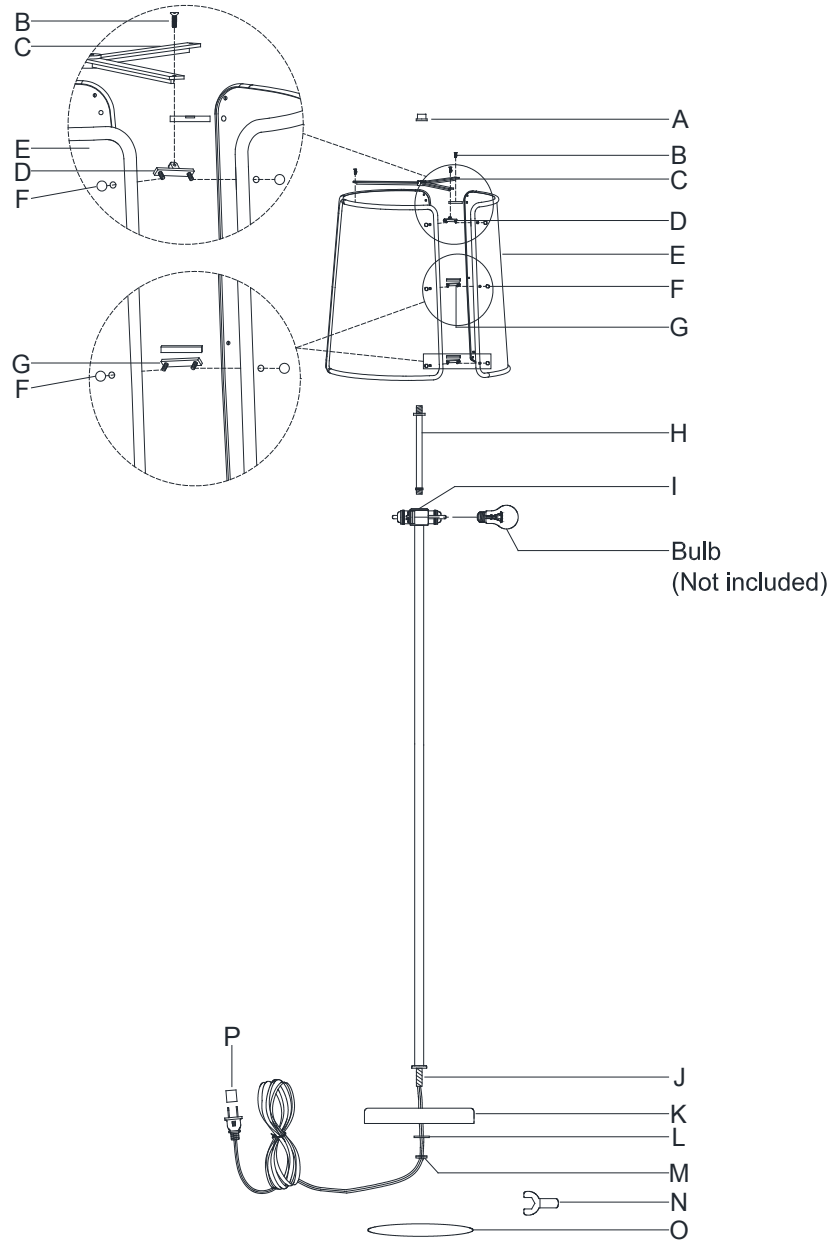


ASSEMBLY INSTRUCTIONS



Hastings Large Floor Lamp

Item # S 1645

INSPECT ITEM CAREFULLY BEFORE ATTEMPTING TO INSTALL. IF THERE IS ANY DAMAGE OR OBVIOUS DEFECT. DO NOT INSTALL.

ITEM MAY NOT BE RETURNED ONCE IT HAS BEEN INSTALLED.

NOTE: CAREFULLY UNPACK EACH PIECE IN TOP LAYER OF PACKING PRIOR TO REMOVING. RETAIN ALL PACKING MATERIAL UNTIL INSPECTION AND INSTALLATION ARE FINAL.

1. Carefully remove all parts from the box.
2. Attach the nipple (J) to the base (K) and secure with metal washer (L) and lock nut (M) by using the wrench (N).
3. Adhere the felt (O) to the bottom of the base (K).
4. Thread the rod (H) to the top of the hub (I).
5. Connect the metal panels (E) with metal bar (D) and (G), then secure with ball nuts (F).
6. Put the bracket (C) on the top of the assembled shade and secure with screws (B).
7. Place the assembled shade onto the rod (H) and secure with finial (A).
8. Insert bulbs (not included) into the sockets.
9. Remove protective plug cover (P) from the plug.
10. Plug into a proper electrical outlet and test the fixture.
11. Assembly is complete.

***Clean with a dry, soft cloth only. Use no harsh abrasives or chemical agents.



VISUAL COMFORT & Co. Est. 1987