

ASSEMBLY INSTRUCTIONS

Belden Square Sonce

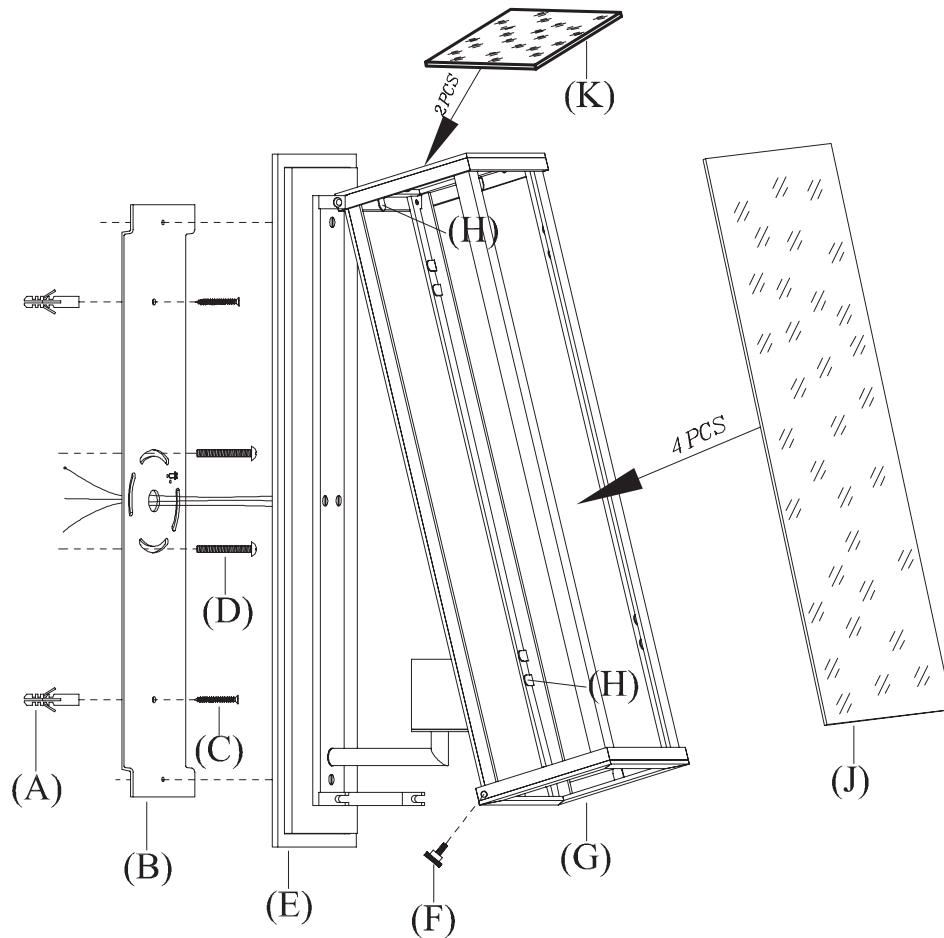
Item # S2015

WE RECOMMEND INSTALLATION OF THIS LIGHTING FIXTURE BE DONE BY A LICENSED ELECTRICIAN.

WARNING * SWITCH OFF THE MAIN ELECTRICAL SUPPLY FROM THE MAIN FUSE BOX/CIRCUIT BREAKER BEFORE INSTALLATION.**

INSPECT ITEM CAREFULLY BEFORE ATTEMPTING TO INSTALL. IF THERE IS ANY DAMAGE OR OBVIOUS DEFECT, DO NOT INSTALL.

ITEM MAY NOT BE RETURNED ONCE IT HAS BEEN INSTALLED.



1. To install glass panels (J) and (K) provided to each frame, make sure metal tabs (H) are flipped against the opening of frame.
2. Place glass panels to each frame, secure the glass panels (J) & (K) by bending back the metal tabs (H) downwards.
3. Remove mounting plate (B) from lantern box (F) by removing base screws (E).
4. Place mounting plate (B) on the wall outlet box, use it as a template, mark points for two mounting holes of mounting plate (B) on the wall. Remove back plate (B).
5. Drill small holes on the marked points, the holes should be big enough to accommodate with plastic anchors (A). Push plastic anchors (A) into the holes.
6. Attach ground (green) wire to ground wire from wall outlet box (usually green or copper in color), fasten together with a plastic wire connector. Tightly wrap the wire connector with electrical tape so the end of the connector is sealed. IT IS IMPERATIVE THAT THE OUTLET BOX IN YOUR HOME BE PROPERLY GROUNDED.
7. Connect neutral (white) fixture wire coming from fixture base to neutral (usually white) outlet wire. Fasten both wires together with a plastic wire connector and tightly wrap the wire connector with electrical tape.
8. Repeat the procedure with the hot (black) wires. Always make sure that no wire strands are left outside the connectors. DO NOT REVERSE THE HOT AND NEUTRAL CONNECTIONS OR SAFETY WILL BE COMPROMISED.
9. Place mounting plate (B) to wall outlet box by aligning the holes, inserting mounting screws (D) to wall outlet box and screws (C) to the plastic anchors (A) to secure mounting plate (B) to the wall.

