

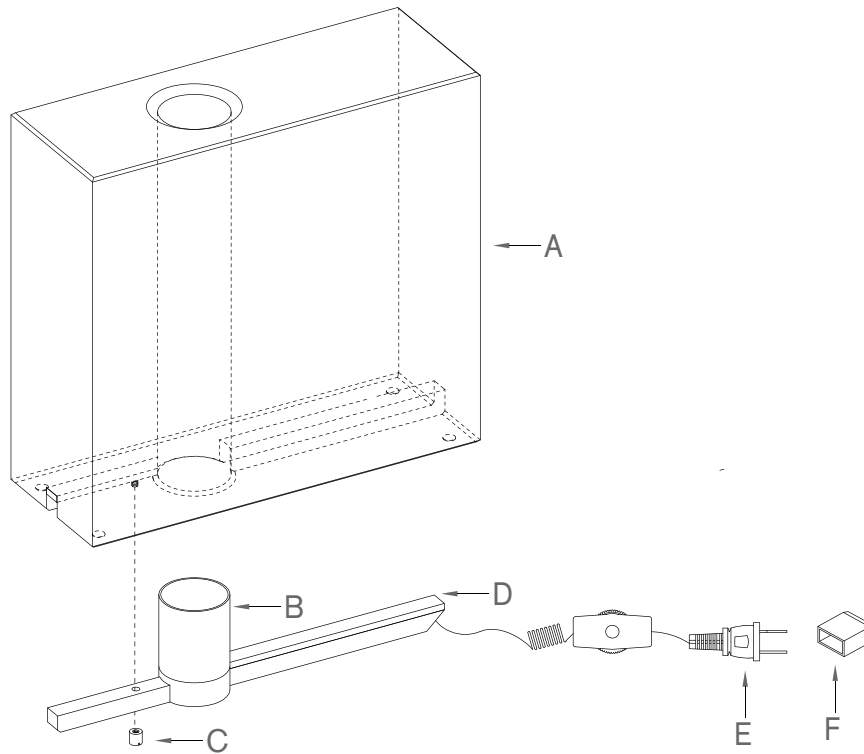
ASSEMBLY INSTRUCTIONS

Ambar Small Table Light Item # S3945

INSPECT ITEM CAREFULLY BEFORE ATTEMPTING TO INSTALL. IF THERE IS ANY DAMAGE OR OBVIOUS DEFECT, DO NOT INSTALL.

ITEM MAY NOT BE RETURNED ONCE IT HAS BEEN INSTALLED.

1. Carefully remove all parts from the carton.
2. Insert the specified light bulb into socket.
3. Remove cap nut (C) from bottom of lamp shade (A), place lamp shade (A) onto base (D), letting the nipple on bottom of shade (A) pass through the hole on base (D); the socket (B) pass through the hole on bottom of shade (A) and secure with cap nut (C).
4. Remove plastic cover (F) from electrical plug (E).
5. Plug lamp into wall outlet.



***Clean with a dry, soft cloth only. Use no harsh abrasives or chemical agents.

