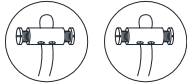
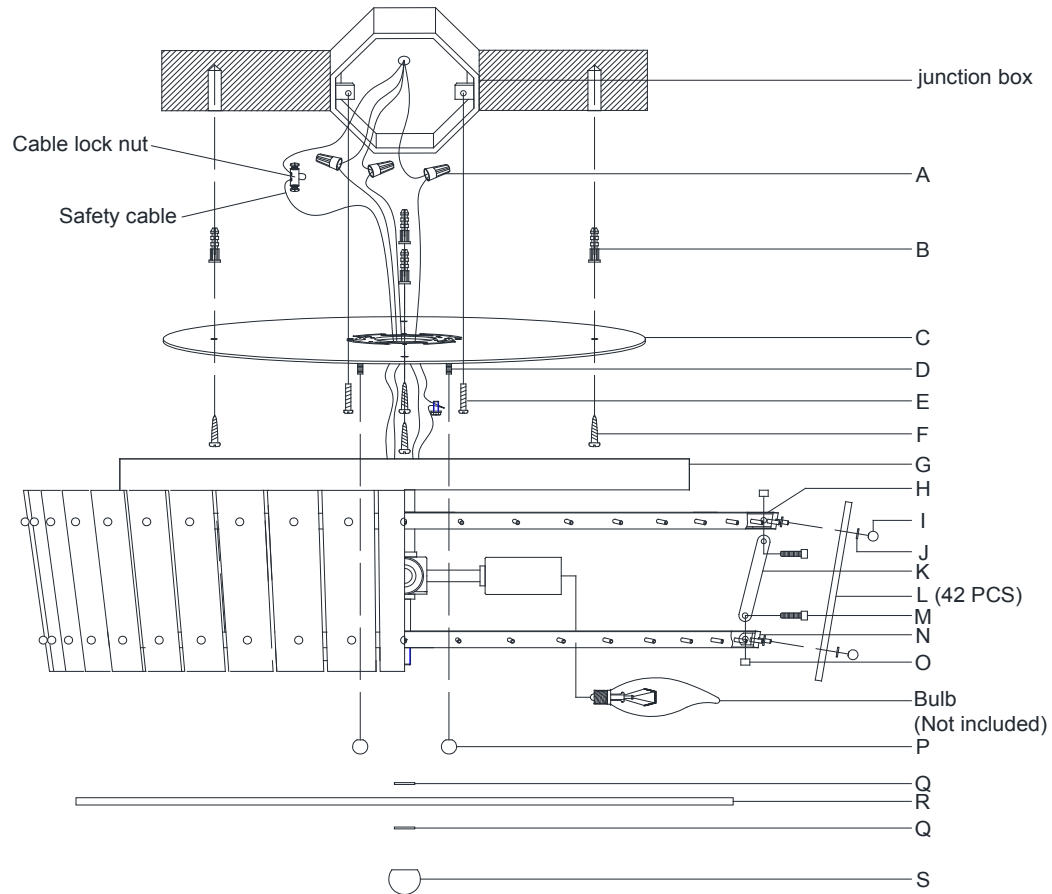


ASSEMBLY INSTRUCTIONS



TO assemble safety cables:

1. Join fixture safety cables with safety cable from ceiling.
2. Wrap both safety cable around the cable lock nut.
3. Insert screws into both holes on cable lock nut, secure screws with screwdriver.
4. Push the cable lock nut into outlet box.



Cadence Large Single-Tier Flush Mount

Item # S 4652

WE RECOMMEND INSTALLATION OF THIS LIGHTING FIXTURE BE DONE BY A LICENSED ELECTRICIAN.

WARNING*SWITCH OFF THE MAIN ELECTRICAL SUPPLY FROM THE MAIN FUSE BOX/CIRCUIT BREAKER BEFORE INSTALLATION.**

INSPECT ITEM CAREFULLY BEFORE ATTEMPTING TO INSTALL. IF THERE IS ANY DAMAGE OR OBVIOUS DEFECT. DO NOT INSTALL.

ITEM MAY NOT BE RETURNED ONCE IT HAS BEEN INSTALLED.

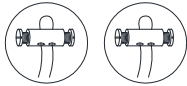
NOTE: CAREFULLY UNPACK EACH PIECE IN TOP LAYER OF PACKING PRIOR TO REMOVING. RETAIN ALL PACKING MATERIAL UNTIL INSPECTION AND INSTALLATION ARE FINAL.

1. Carefully remove all parts from the box.
2. Attach the metal bars (K) to the metal ring (H & N) and secure with screws (M) and nuts (O).
3. Remove the mounting plate (C) from the canopy (G) by loosening the ball nuts (P).
4. Put the mounting plate (C) on the ceiling and mark the holes position with pencil.
5. Drill 4 holes on the ceiling and knock the anchors (B) into the holes.
6. Affix mounting plate (C) onto the junction box and secure with mounting screws (E), then secure the wood screws (F) to the anchors (B) and lock tight.
7. Connect ground wire from the fixture (bare copper) to ground wire from the junction box (usually green or copper in color) using wire nut (A).
IT IS IMPERATIVE THAT THIS FIXTURE BE GROUNDED.
8. Connect the Neutral wire (WHITE) from the fixture to the neutral wire (usually white) from the junction box using wire nut (A).
9. Connect the Hot wire (BLACK) from the fixture to the hot wire (usually black) from the junction box using wire nut (A).
DO NOT REVERSE THE HOT AND NEUTRAL CONNECTIONS OR SAFETY WILL BE COMPROMISED.
10. Attach the canopy (G) onto the mounting plate (C), let screws (D) pass through the holes on the canopy (G), then secure with ball nuts (O).
11. Attach the glass panels (L) to the metal ring (H & N) and secure with rubber washers (J) and ball nuts (I).
ATTENTION: Do not lock tight the ball nuts, otherwise will cause glass broken.



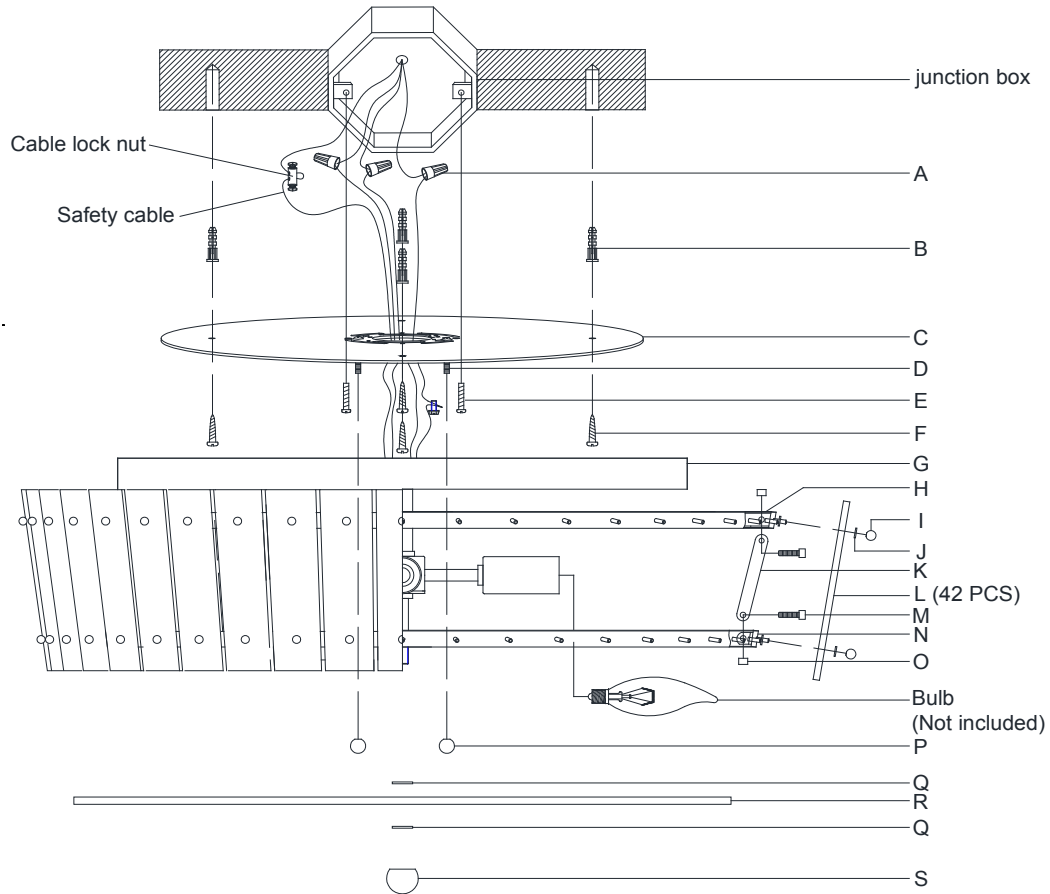
VISUAL COMFORT & Co. Est. 1987

ASSEMBLY INSTRUCTIONS



TO assemble safety cables:

1. Join fixture safety cables with safety cable from ceiling.
2. Wrap both safety cable around the cable lock nut.
3. Insert screws into both holes on cable lock nut, secure screws with screwdriver.
4. Push the cable lock nut into outlet box.



Cadence Large Single-Tier Flush Mount

Item # S 4652

WE RECOMMEND INSTALLATION OF THIS LIGHTING FIXTURE BE DONE BY A LICENSED ELECTRICIAN.

WARNING*SWITCH OFF THE MAIN ELECTRICAL SUPPLY FROM THE MAIN FUSE BOX/CIRCUIT BREAKER BEFORE INSTALLATION.**

INSPECT ITEM CAREFULLY BEFORE ATTEMPTING TO INSTALL. IF THERE IS ANY DAMAGE OR OBVIOUS DEFECT. DO NOT INSTALL.

ITEM MAY NOT BE RETURNED ONCE IT HAS BEEN INSTALLED.

NOTE: CAREFULLY UNPACK EACH PIECE IN TOP LAYER OF PACKING PRIOR TO REMOVING. RETAIN ALL PACKING MATERIAL UNTIL INSPECTION AND INSTALLATION ARE FINAL.

12. Insert bulbs (not included) into the sockets.
13. Attach the glass diffuser (R) to the bottom of the fixture body and secure with rubber washer (Q) and finial (S).
14. Installation is complete, turn on power at fuse or circuit breaker.

***Clean with a dry, soft cloth only. Use no harsh abrasives or chemical agents.

