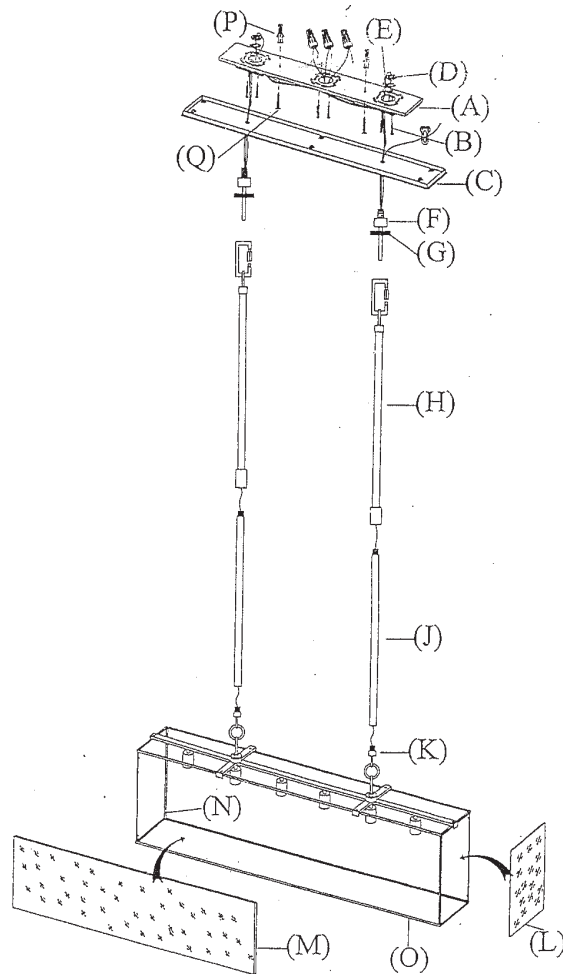


## ASSEMBLY INSTRUCTIONS



## Belden Linear Pendant

Item # S5015

**WE RECOMMEND INSTALLATION OF THIS LIGHTING FIXTURE BE DONE BY A LICENSED ELECTRICIAN.**

**WARNING \*\*\* SWITCH OFF THE MAIN ELECTRICAL SUPPLY FROM THE MAIN FUSE BOX/CIRCUIT BREAKER BEFORE INSTALLATION.**

**INSPECT ITEM CAREFULLY BEFORE ATTEMPTING TO INSTALL. IF THERE IS ANY DAMAGE OR OBVIOUS DEFECT, DO NOT INSTALL.**

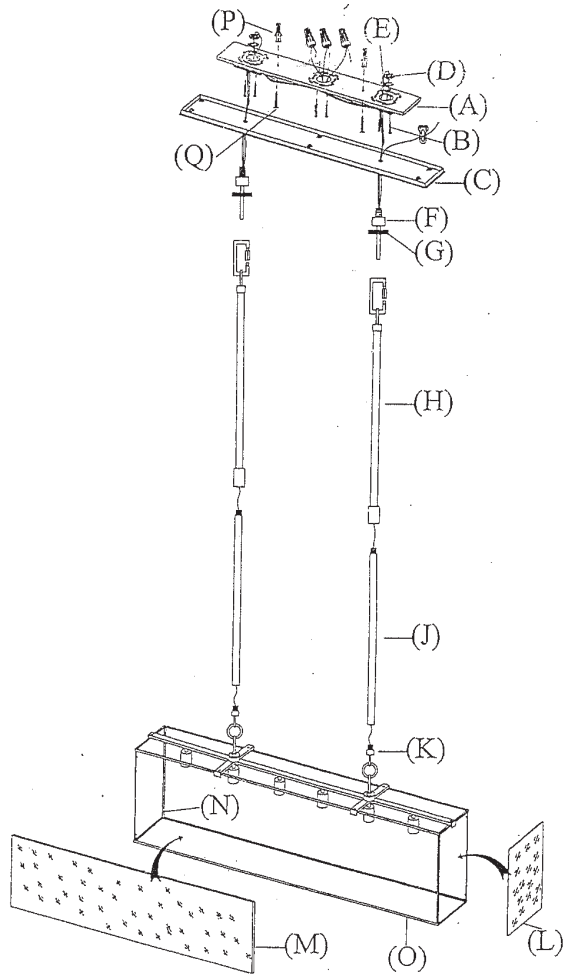
**ITEM MAY NOT BE RETURNED ONCE IT HAS BEEN INSTALLED.**

1. Place two glass panels (M) provided to both front and back frames of lantern box (O), make sure metal tabs (N) are flipped against the openings of the lantern box (O). Place glass panels to the frame of the lantern box (O), secure the glass panels by bending back the metal tabs (N) towards the openings of the front or back frames.
2. Repeat this procedure to install the smaller glass panels (L) to both left and right side of the lantern frames.
3. Screw pole (J) into top of nipple (K) and hand tighten until taut.
4. Screw upper pole (H) onto lower pole (J) and hand tighten until taut.
5. Remove mounting plate (A) from fixture base (C) by unscrewing nuts (D), washers (E) and threaded rings (G).
6. Place mounting plate (A) to the ceiling, use it as a template, mark center points for both mounting holes on the ceiling. Remove mounting plate (A).
7. Drill small holes on the marked points, the holes should be big enough to accommodate the plastic anchors (P). Push plastic anchors (P) into the holes.
8. Gently pull the wires from the ceiling outlet and allow the wires to hang. Thread the wires through the center holes of plastic anchors (P), inserting mounting screws (B) to ceiling outlet box and screws (Q) into plastic anchors (P) to secure mounting plate (A) to ceiling.
9. Attach fixtures steel safety cable to structural member in the wall.
10. Attach the ground wire (bare wire) from the fixture to the ground junction box wire (usually green or copper wire). Fasten together with a plastic wire connector and wrap the connection with electrical tape.  
BE SURE NO WIRE STRANDS ARE EXPOSED.



VISUAL COMFORT & Co. Est. 1987

## ASSEMBLY INSTRUCTIONS



## Belden Linear Pendant

Item # S5015

**WE RECOMMEND INSTALLATION OF THIS LIGHTING FIXTURE BE DONE BY A LICENSED ELECTRICIAN.**

**WARNING \*\*\* SWITCH OFF THE MAIN ELECTRICAL SUPPLY FROM THE MAIN FUSE BOX/CIRCUIT BREAKER BEFORE INSTALLATION.**

**INSPECT ITEM CAREFULLY BEFORE ATTEMPTING TO INSTALL. IF THERE IS ANY DAMAGE OR OBVIOUS DEFECT, DO NOT INSTALL.**

**ITEM MAY NOT BE RETURNED ONCE IT HAS BEEN INSTALLED.**

11. Connect the neutral wire from the fixture (ridges molded wire) to the neutral wire from the junction box (usually white). Fasten together with a plastic wire connector and wrap the connection with electrical tape.  
BE SURE NO WIRE STRANDS ARE EXPOSED
12. Connect the hot wire from the fixture (smooth wire) to the hot wire (usually black) from the junction box. Fasten each together with a plastic wire connector and wrap the connection with electrical tape.  
BE SURE THAT NO WIRE STRANDS ARE EXPOSED  
DO NOT REVERSE THE HOT AND NEUTRAL CONNECTIONS  
OTHERWISE SAFETY WILL BE COMPROMISED.
13. Attach fixture base (C) to affixed mounting plate (A), aligning the holes and insert the nipple of (F) into the holes, secure with nuts (D), washers (E), and threaded rings (G).
14. Hook upper pole (H) to part (F).
15. Insert light bulbs (not included) into the sockets.
16. Restore power and test fixture.

