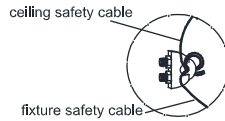
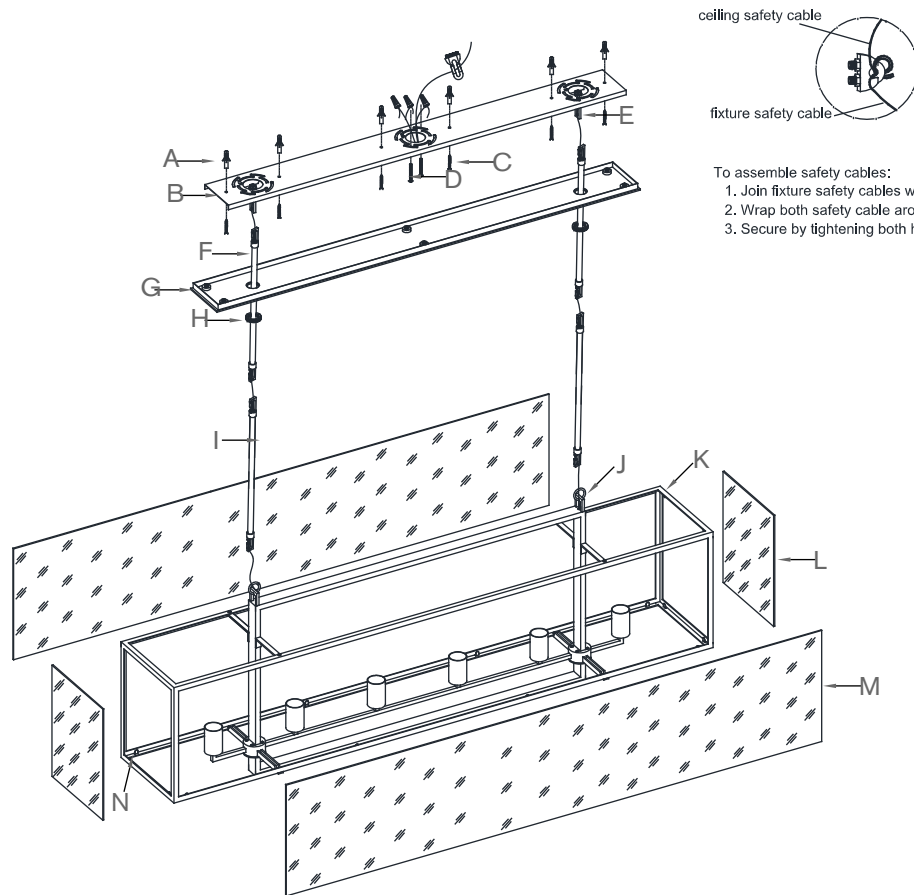


ASSEMBLY INSTRUCTIONS



- To assemble safety cables:
1. Join fixture safety cables with safety cable from ceiling.
 2. Wrap both safety cable around the cable lock nut.
 3. Secure by tightening both hex nuts until tight.

Halle Large Linear Pendant Item # S 5195

WE RECOMMEND INSTALLATION OF THIS LIGHTING FIXTURE BE DONE BY A LICENSED ELECTRICIAN.

WARNING * SWITCH OFF THE MAIN ELECTRICAL SUPPLY FROM THE MAIN FUSE BOX/CIRCUIT BREAKER BEFORE INSTALLATION.**

INSPECT ITEM CAREFULLY BEFORE ATTEMPTING TO INSTALL. IF THERE IS ANY DAMAGE OR OBVIOUS DEFECT, DO NOT INSTALL.

ITEM MAY NOT BE RETURNED ONCE IT HAS BEEN INSTALLED.

1. Carefully remove all parts from the carton.
2. To install glass panels (L) & (M) into lantern cage (K), make sure the metal tabs (N) are flipped against the lantern cage (K) and secure the glass panels (L) & (M) by bending back the metal tabs (N) downwards the glass panels (L) & (M).
3. Feed wire through all of the hang rods (I), (F) and mounting loop (E).
4. Hook hang rods (I) on top loops (J) of lantern cage (K)
5. Hook hang rods (F) on top of hang rods (I).
6. Unscrew canopy rings (H), slide canopy rings (H) and canopy (G) on hang rods (F).
7. Position mounting plate (B) on the ceiling outlet box. Mark center points for mounting slot with a pencil on the ceiling. Remove mounting plate (B).
8. Attach fixture steel safety cable to structural member in the ceiling. (Refer to the illustration)
9. Drill small holes on each point location on the ceiling, each hole should be large enough to accommodate to the plastic anchor (A). Push plastic anchors (A) into the holes in the ceiling.
10. Affix mounting plate (B) to ceiling outlet box, aligning holes and secure by inserting mounting screws (C) to the holes of outlet box and screws (D) to the plastic anchors (A) in the ceiling.
11. Gently pull the wires from the ceiling outlet and allow the wires to hang. Thread the wires through the center hole in mounting plate (B).
12. Attach the bare copper ground wire from the fixture to the ground junction box wire (usually green or copper), fasten together with a plastic wire connector. Tightly wrap the wire connector with electrical tape. Be sure no wire strands are exposed. **IT IS IMPERATIVE THAT THE OUTLET BOX IN YOUR HOME BE PROPERLY GROUNDED.**
13. Connect neutral wire from fixture (ridges molded wire) to the neutral wire from the junction box (usually white). Fasten both wires together with a plastic wire connector and tightly wrap the wire connector with electrical tape. Be sure no wire strands are exposed.
14. Connect the hot wires from the fixture (smooth wire) to the hot wire (usually black) from the junction box. Fasten each together with a plastic wire connector and wrap the connection with electrical tape. **DO NOT REVERSE THE HOT AND NEUTRAL CONNECTIONS OTHERWISE SAFETY WILL BE COMPROMISED.**
15. Tuck the wire connections neatly into the ceiling outlet box.
16. Hook connection rods (F) to mounting loops (E).
17. Slip canopy (G) to ceiling and secure with canopy rings (H).
18. Insert light bulbs into sockets.
19. Restore power and test fixture. Installation is complete.

*** Clean with a dry, soft cloth only. Use no harsh abrasives or chemical agents.