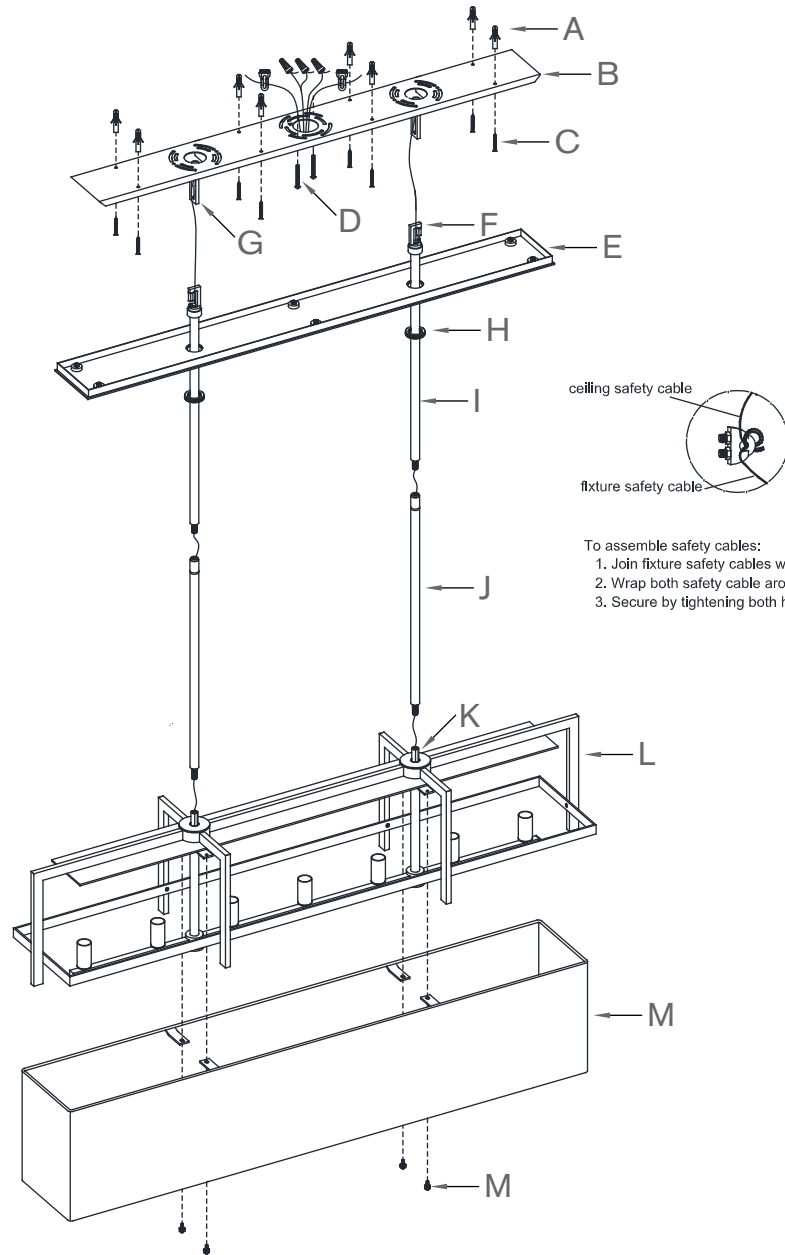


## ASSEMBLY INSTRUCTIONS



Milo Large Linear Pendant

Item # S 5327

**WE RECOMMEND INSTALLATION OF THIS LIGHTING FIXTURE BE DONE BY A LICENSED ELECTRICIAN.**

**WARNING \*\*\* SWITCH OFF THE MAIN ELECTRICAL SUPPLY FROM THE MAIN FUSE BOX/CIRCUIT BREAKER BEFORE INSTALLATION.**

**INSPECT ITEM CAREFULLY BEFORE ATTEMPTING TO INSTALL. IF THERE IS ANY DAMAGE OR OBVIOUS DEFECT, DO NOT INSTALL.**

**ITEM MAY NOT BE RETURNED ONCE IT HAS BEEN INSTALLED.**

1. Carefully remove all parts from the carton.
2. Remove mounting plate (B) from canopy (E) by unscrewing canopy rings (I).
3. Attach mounting plate (B) on the ceiling outlet box. Mark center points for mounting holes with a pencil on the ceiling. Remove mounting plate (B).
4. Drill small holes on each point location on the ceiling, each hole should be big enough to accommodate to the plastic anchor (A). Push plastic anchors (A) into the holes in the ceiling.
5. Affix mounting plate (B) to ceiling outlet box, aligning holes and secure by inserting mounting screws (D) to the holes of outlet box and screws (C) to the plastic anchors (A) in the ceiling.
6. Feed wires through the connection rods (J), (I) and hanging loops (F).
7. Thread the bottom nipple of connection rods (J) onto the joints (K) on light fixture (L) by turning in a clockwise direction until tight.
8. Thread the bottom nipple of connection rods (I) into the top opening of connection rods (J) by turning in a clockwise direction until tight.
9. Slide canopy ring (H) and canopy (E) on connection rods (I).
10. Attach hanging loops (F) to mounting loops (G).
11. Attach fixture steel safety cable to structural member in the ceiling. (Refer to the illustration)
12. Gently pull the wires from the ceiling outlet and allow the wires to hang. Thread the wires through the center hole in mounting plate (B).
13. Attach the bare copper ground wire from the fixture to the ground junction box wire (usually green or copper), fasten together with a plastic wire connector. Tightly wrap the wire connector with electrical tape. Be sure no wire strands are exposed. **IT IS IMPERATIVE THAT THE OUTLET BOX IN YOUR HOME BE PROPERLY GROUNDED.**
14. Connect neutral wire from fixture (ribbed molded wire) to the neutral wire from the junction box (usually white). Fasten both wires together with a plastic wire connector and tightly wrap the wire connector with electrical tape. Be sure no wire strands are exposed.
15. Connect the hot wire from the fixture (smooth wire) to the hot wire (usually black) from the junction box. Fasten both together with a plastic wire connector and wrap the connection with electrical tape. **DO NOT REVERSE THE HOT AND NEUTRAL CONNECTIONS OTHERWISE SAFETY WILL BE COMPROMISED.**
16. Tuck the wire connections neatly into the ceiling outlet box.
17. Slip canopy (E) to the affixed mounting plate (B) and secure with canopy rings (H).
18. Insert light bulbs (not included) into the sockets.
19. Remove set screws (M) from light fixture (L), attach shade (M) to the light fixture (L) by aligning the holes on shade (M) with the holes on light fixture (L) and secure by tightening set screws (M).
20. Restore power and test fixture. Installation is complete.

\*\*\* Clean with a dry, soft cloth only. Use no harsh abrasives or chemical agents.