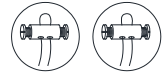
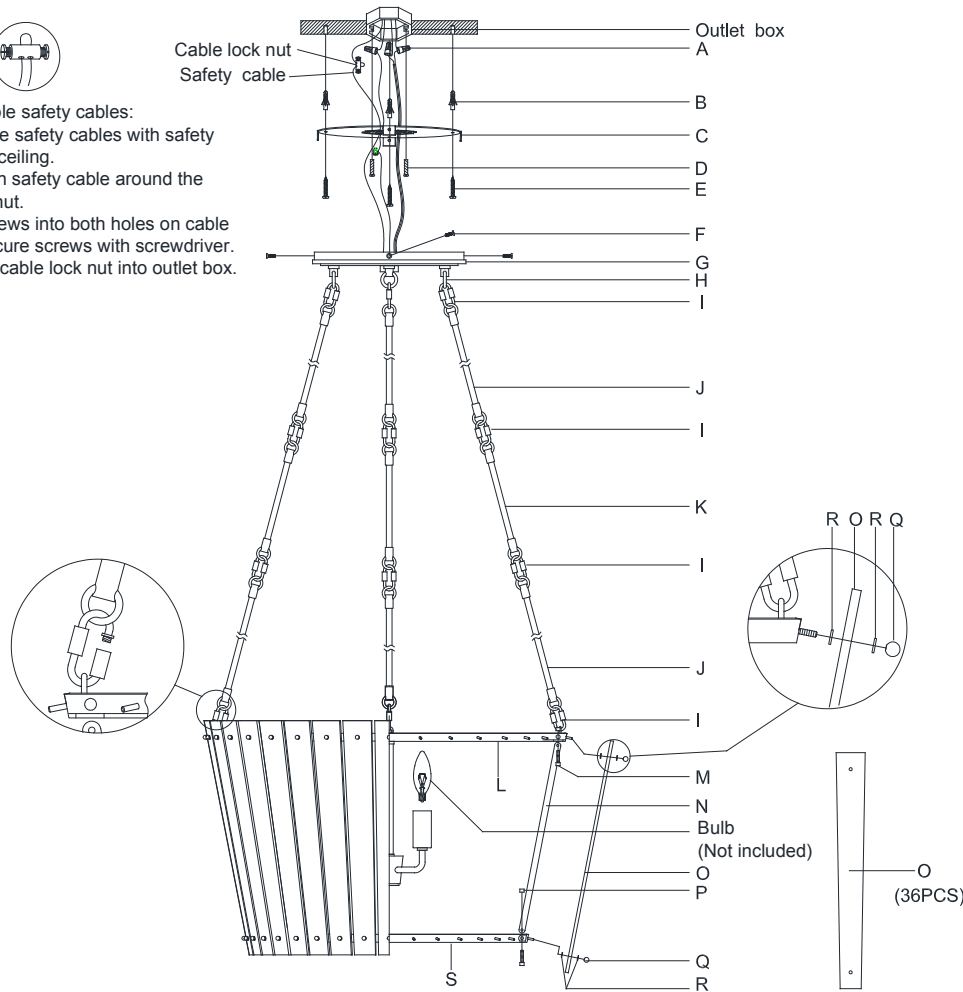


# ASSEMBLY INSTRUCTIONS



**TO assemble safety cables:**

1. Join fixture safety cables with safety cable from ceiling.
2. Wrap both safety cable around the cable lock nut.
3. Insert screws into both holes on cable lock nut, secure screws with screwdriver.
4. Push the cable lock nut into outlet box.



## Cadence Medium Chandelier

Item # S 5653

**WE RECOMMEND INSTALLATION OF THIS LIGHTING FIXTURE BE DONE BY A LICENSED ELECTRICIAN.**

**WARNING\*\*\*SWITCH OFF THE MAIN ELECTRICAL SUPPLY FROM THE MAIN FUSE BOX/CIRCUIT BREAKER BEFORE INSTALLATION.**

**INSPECT ITEM CAREFULLY BEFORE ATTEMPTING TO INSTALL. IF THERE IS ANY DAMAGE OR OBVIOUS DEFECT. DO NOT INSTALL.**

**ITEM MAY NOT BE RETURNED ONCE IT HAS BEEN INSTALLED.**

**NOTE: CAREFULLY UNPACK EACH PIECE IN TOP LAYER OF PACKING PRIOR TO REMOVING. RETAIN ALL PACKING MATERIAL UNTIL INSPECTION AND INSTALLATION ARE FINAL.**

1. Carefully remove all parts from the box.
2. Remove the mounting plate (C) from canopy (G) by loosening side screws (F).
3. Put the mounting plate (C) on the ceiling and mark the holes position with pencil.
4. Drill 4 holes on the ceiling and knock the anchors (B) into the holes.
5. Affix mounting plate (C) onto the junction box and secure with mounting screws (D), then secure the wood screws (E) to the anchors (B) and lock tight.
6. Open the quick chain links (I), connect the rods (J) and rod (K) together.
7. Open the bottom quick chain link (I) and attach it to the hook on the metal ring (L). Then secure the chain quick link.
8. Open the top quick chain link (I) and attach it to the ceiling loop (H) on the canopy (G). Then secure the chain quick link.
9. Feed the fixture wire, ground wire and safety cable pass through the rods (J & K) and the ceiling loop (H).
10. Connect the fixture ground (bare) wire with the ground wire from the junction box using wire nut (A). If your house does not have ground wire, then attach this wire to the green grounding screw inside of the junction box.
11. Connect the fixture Neutral wire (ribbed) with the neutral wire (usually white) from the junction box using wire nut (A).
12. Connect the fixture Hot wire (smooth, with words) with the hot wire (usually black) from the junction box using wire nut (A).

**IT IS IMPERATIVE THAT THIS FIXTURE BE GROUNDED.**  
**DO NOT REVERSE THE HOT AND NEUTRAL CONNECTIONS OR SAFETY WILL BE COMPROMISED.**



# ASSEMBLY INSTRUCTIONS

# Cadence Medium Chandelier

Item # S 5653

**WE RECOMMEND INSTALLATION OF THIS LIGHTING FIXTURE BE DONE BY A LICENSED ELECTRICIAN.**

**WARNING\*\*\*SWITCH OFF THE MAIN ELECTRICAL SUPPLY FROM THE MAIN FUSE BOX/CIRCUIT BREAKER BEFORE INSTALLATION.**

**INSPECT ITEM CAREFULLY BEFORE ATTEMPTING TO INSTALL. IF THERE IS ANY DAMAGE OR OBVIOUS DEFECT. DO NOT INSTALL.**

**ITEM MAY NOT BE RETURNED ONCE IT HAS BEEN INSTALLED.**

**NOTE: CAREFULLY UNPACK EACH PIECE IN TOP LAYER OF PACKING PRIOR TO REMOVING. RETAIN ALL PACKING MATERIAL UNTIL INSPECTION AND INSTALLATION ARE FINAL.**

13. Attach the canopy (G) to the mounting plate (C) and secure with side screws (F).

14. Insert bulbs (not included) into the sockets.

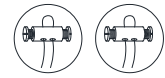
15. Attach the metal bars (N) to the metal ring (L & S) and secure with screws (M) and nuts (P).

16. Attach the glass panels (O) to the metal ring (L & S) and secure with rubber washers (R) and ball nuts (Q).

ATTENTION: Do not lock tight the ball nuts, otherwise will cause glass broken.

17. Installation is complete, turn on power at fuse or circuit breaker.

\*\*\*Clean with a dry, soft cloth only. Use no harsh abrasives or chemical agents.



TO assemble safety cables:

1. Join fixture safety cables with safety cable from ceiling.
2. Wrap both safety cable around the cable lock nut.
3. Insert screws into both holes on cable lock nut, secure screws with screwdriver.
4. Push the cable lock nut into outlet box.

