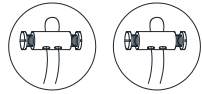
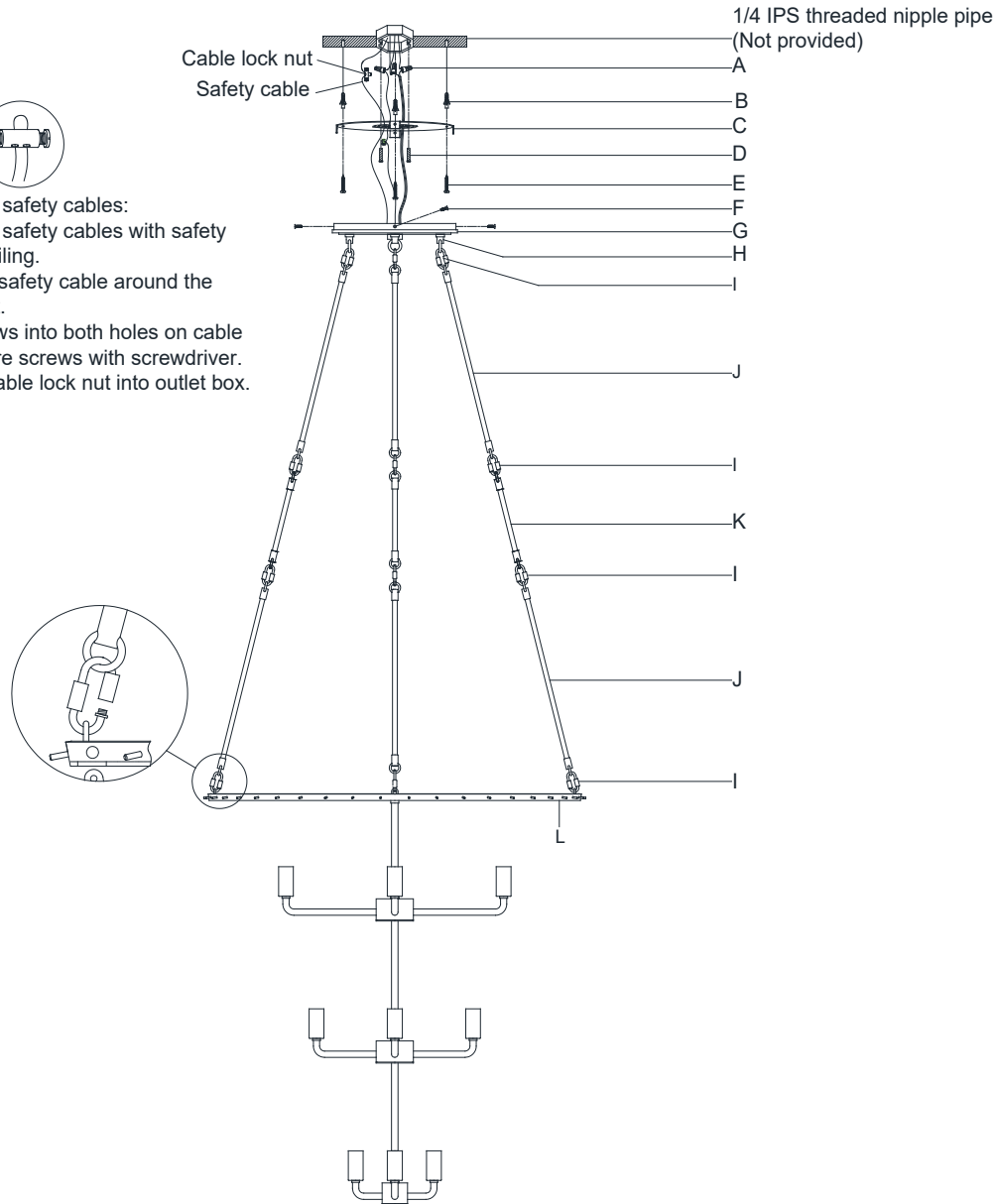


ASSEMBLY INSTRUCTIONS



TO assemble safety cables:

1. Join fixture safety cables with safety cable from ceiling.
2. Wrap both safety cable around the cable lock nut.
3. Insert screws into both holes on cable lock nut, secure screws with screwdriver.
4. Push the cable lock nut into outlet box.



Cadence Large Waterfall Chandelier

Item # S5657

WE RECOMMEND INSTALLATION OF THIS LIGHTING FIXTURE BE DONE BY A LICENSED ELECTRICIAN.

WARNING*SWITCH OFF THE MAIN ELECTRICAL SUPPLY FROM THE MAIN FUSE BOX/CIRCUIT BREAKER BEFORE INSTALLATION.**

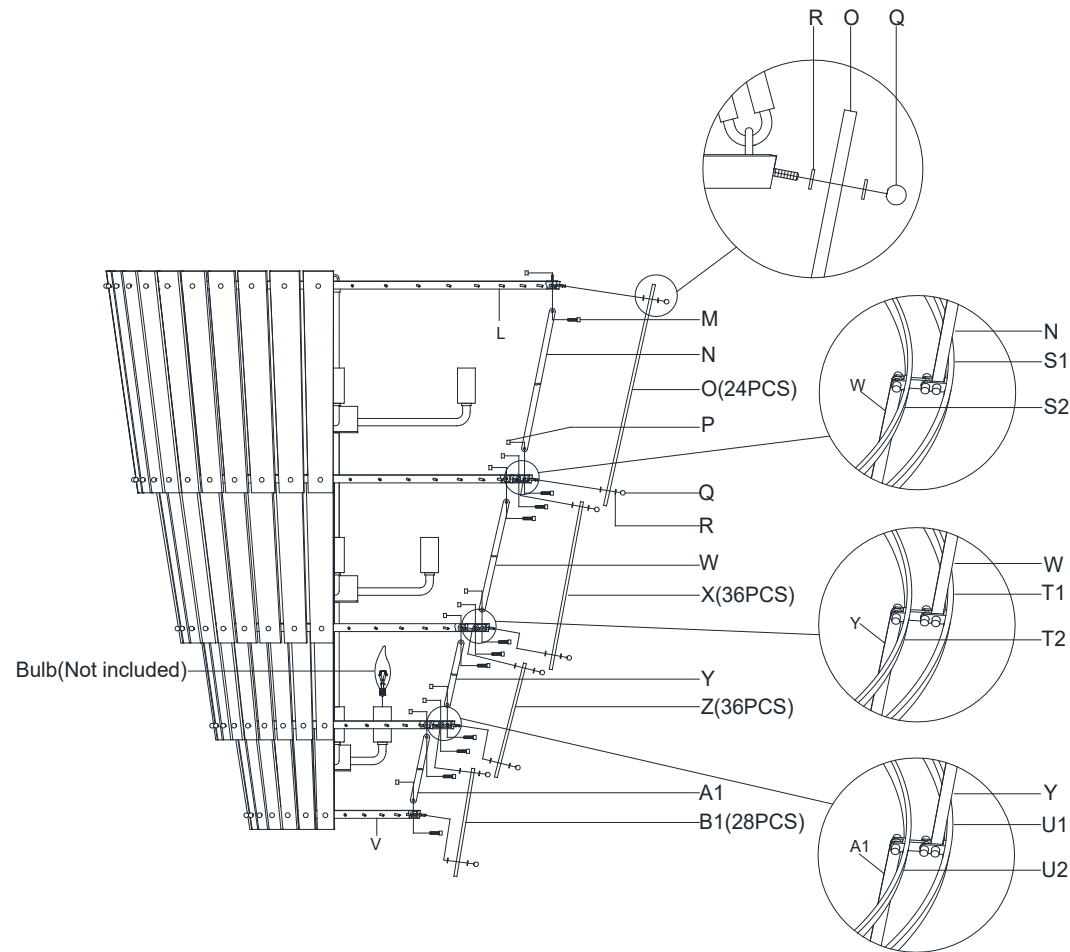
INSPECT ITEM CAREFULLY BEFORE ATTEMPTING TO INSTALL. IF THERE IS ANY DAMAGE OR OBVIOUS DEFECT. DO NOT INSTALL.

ITEM MAY NOT BE RETURNED ONCE IT HAS BEEN INSTALLED.

NOTE: CAREFULLY UNPACK EACH PIECE IN TOP LAYER OF PACKING PRIOR TO REMOVING. RETAIN ALL PACKING MATERIAL UNTIL INSPECTION AND INSTALLATION ARE FINAL.

1. Carefully remove all parts from the box.
 2. Remove the mounting plate (C) from the canopy (G) by loosening the canopy screws (F).
 3. Put the mounting plate (C) on the ceiling and mark the holes position with pencil (not included). Drill 4 holes on the ceiling and knock the anchors (B) into the holes.
 4. Install the mounting plate (C) onto the junction box and secure with the mounting screws (D), then secure the wood screws (E) to the anchors (B) and lock tight.
 5. Feed the fixture wires and safety cable pass through the rods (J & K) and the collar loop (H).
 6. Open the quick chain links (I), connect the rods (J) and rod (K) together. Secure the chain quick link (I).
 7. Open the top quick chain link (I) and attach top quick chain link (I) to the collar loop (H). Secure the chain quick link (I).
 8. Open the bottom quick chain link (I) and attach bottom quick chain link (I) to the hook on the metal ring (L). Secure the chain quick link (I).
 9. Measure the wires then cut, be certain to leave enough length to connect the wires the junction box.
 10. Twist the fixture wires and safety cable together and push through the center hole of the collar loop (H).
 11. Run safety cable through junction box and install to structural member of the building. Secure using cable lock nut as shown in figure.
 12. Wrap the fixture ground wire to the green ground screw on the mounting plate (C) and secure, then connect to the ground wire in the junction box using the wire nut (A).
- IT IS IMPERATIVE THAT THIS FIXTURE BE GROUNDED.

ASSEMBLY INSTRUCTIONS



Cadence Large Waterfall Chandelier

Item # S5657

WE RECOMMEND INSTALLATION OF THIS LIGHTING FIXTURE BE DONE BY A LICENSED ELECTRICIAN.

WARNING*SWITCH OFF THE MAIN ELECTRICAL SUPPLY FROM THE MAIN FUSE BOX/CIRCUIT BREAKER BEFORE INSTALLATION.**

INSPECT ITEM CAREFULLY BEFORE ATTEMPTING TO INSTALL. IF THERE IS ANY DAMAGE OR OBVIOUS DEFECT. DO NOT INSTALL.

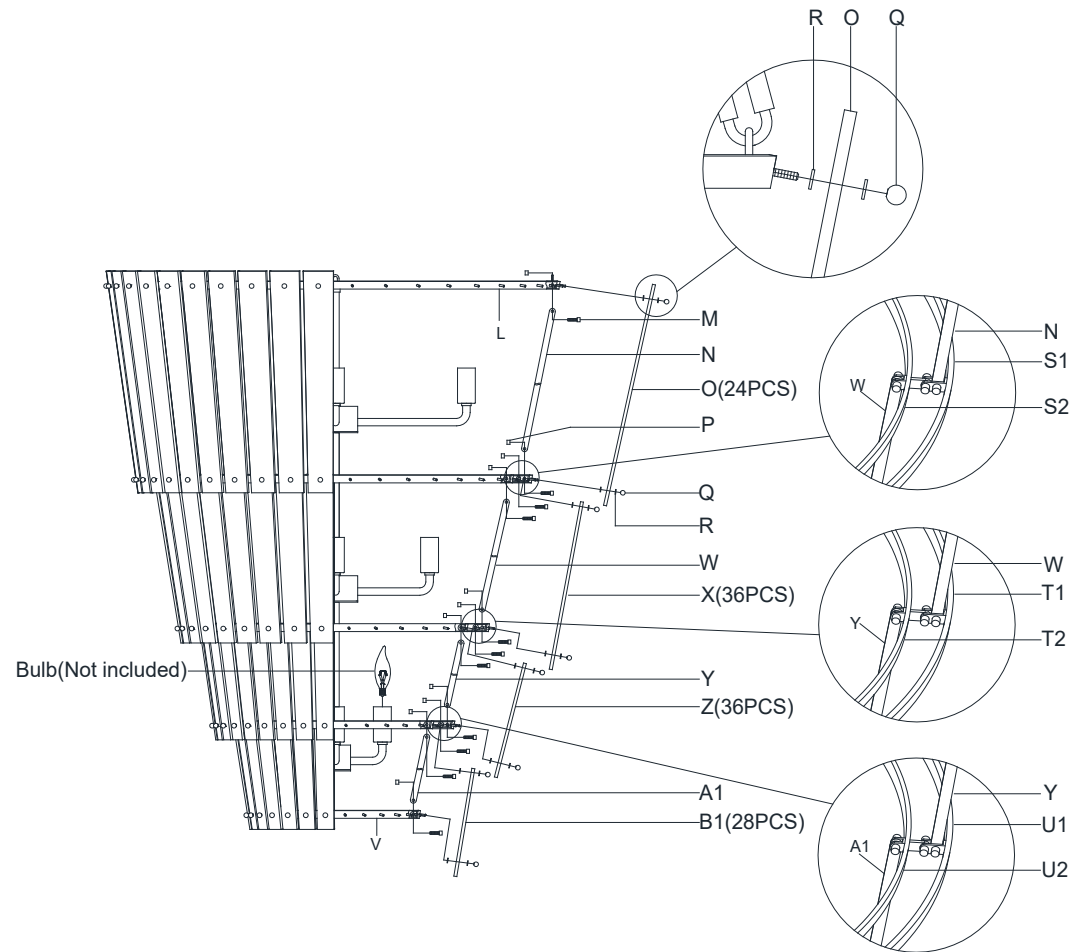
ITEM MAY NOT BE RETURNED ONCE IT HAS BEEN INSTALLED.

NOTE: CAREFULLY UNPACK EACH PIECE IN TOP LAYER OF PACKING PRIOR TO REMOVING. RETAIN ALL PACKING MATERIAL UNTIL INSPECTION AND INSTALLATION ARE FINAL.

13. Connect the fixture ribbed wire (no markings) to the neutral wire in the junction box using the wire nut (A).
14. Connect the fixture smooth wire (with markings) to the hot wire in the junction box using the wire nut (A).
DO NOT REVERSE THE HOT AND NEUTRAL CONNECTIONS OR SAFETY WILL BE COMPROMISED.
15. Carefully tuck the wire connections into the junction box.
16. Install the canopy (G) to the mounting plate (C) and secure with the canopy screws (F).
17. Insert bulbs (not included) into the sockets.
18. Attach the metal bars (N) to the metal ring (L & S1) and secure with the screws (M) and nuts (P).
19. Attach the metal bars (W) to the metal ring (S2 & T1) and secure with the screws (M) and nuts (P).
20. Attach the metal bars (Y) to the metal ring (T2 & U1) and secure with the screws (M) and nuts (P).
21. Attach the metal bars (A1) to the metal ring (U2 & V) and secure with the screws (M) and nuts (P).
22. Attach the rubber washer (R) to either side of the glass panels (B1) and secure to the metal ring (U2 & V) and with the ball nuts (O).

ATTENTION: Do not lock tight the ball nuts, otherwise will cause glass broken.

ASSEMBLY INSTRUCTIONS



Cadence Large Waterfall Chandelier

Item # S5657

WE RECOMMEND INSTALLATION OF THIS LIGHTING FIXTURE BE DONE BY A LICENSED ELECTRICIAN.

WARNING*SWITCH OFF THE MAIN ELECTRICAL SUPPLY FROM THE MAIN FUSE BOX/CIRCUIT BREAKER BEFORE INSTALLATION.**

INSPECT ITEM CAREFULLY BEFORE ATTEMPTING TO INSTALL. IF THERE IS ANY DAMAGE OR OBVIOUS DEFECT. DO NOT INSTALL.

ITEM MAY NOT BE RETURNED ONCE IT HAS BEEN INSTALLED.

NOTE: CAREFULLY UNPACK EACH PIECE IN TOP LAYER OF PACKING PRIOR TO REMOVING. RETAIN ALL PACKING MATERIAL UNTIL INSPECTION AND INSTALLATION ARE FINAL.

23. Attach the rubber washer (R) to either side of the glass panels (Z) and secure to the metal ring (T2 & U1) and with the ball nuts (O).
24. Attach the rubber washer (R) to either side of the glass panels (X) and secure to the metal ring (S2 & T1) and with the ball nuts (O).
25. Attach the rubber washer (R) to either side of the glass panels (O) and secure to the metal ring (L2 & S1) and with the ball nuts (O).
26. Installation is complete, turn on power at fuse or circuit breaker.

***Clean with a dry, soft cloth only. Use no harsh abrasives or chemical agents.