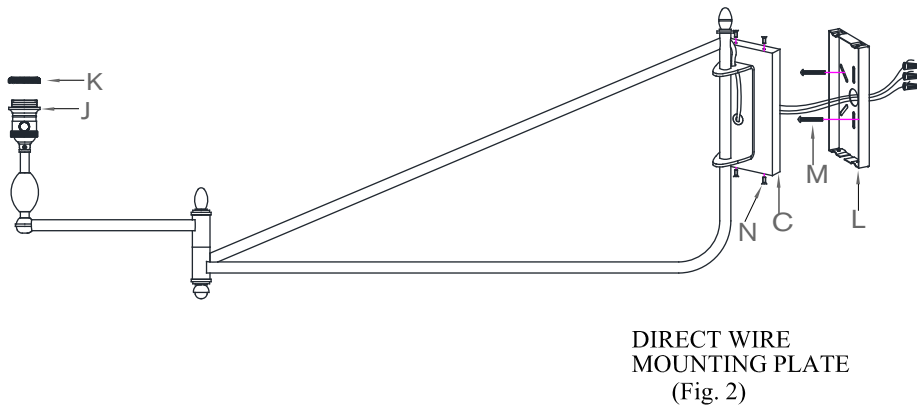
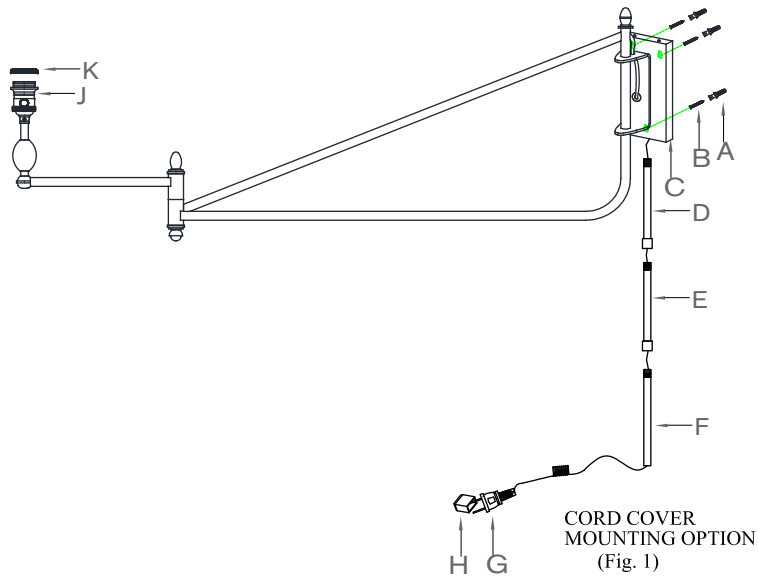


ASSEMBLY INSTRUCTIONS



Swing Wall Lamp Item # TOB2201

WE RECOMMEND INSTALLATION OF THIS LIGHTING FIXTURE BE DONE BY A LICENSED ELECTRICIAN.

WARNING * SWITCH OFF THE MAIN ELECTRICAL SUPPLY FROM THE MAIN FUSE BOX/CIRCUIT BREAKER BEFORE INSTALLATION.**

INSPECT ITEM CAREFULLY BEFORE ATTEMPTING TO INSTALL. IF THERE IS ANY DAMAGE OR OBVIOUS DEFECT, DO NOT INSTALL.

ITEM MAY NOT BE RETURNED ONCE IT HAS BEEN INSTALLED.

*** (CORD COVER ASSEMBLY) *** (See Fig. 1)

1. Carefully remove all parts from the carton.
2. Screw threaded nipple of cord cover (D) into bottom threaded opening of backplate (C). Thread cord cover (E) into cord cover (D), thread cord cover (F) into cord cover (E) and hand tighten.
3. Measure center points between both mounting holes at back of fixture base (C). Mark two points with same distance on the wall, make sure they are vertical with each other.
4. Drill small holes at both points, hole should be big enough to accomodate with plastic anchors (A). Install plastic anchors (A) into the holes in the wall.
5. Insert mounting screws (B) into plastic anchors (A), make sure screwhead 1/8" threads are visible.
6. Hook fixture base (C) onto both screws (B).
7. Place lamp shade (not included) onto the top of socket (J) and tighten with socket ring (K).
8. Insert light bulb into socket.
9. Remove plastic cover (H) from plug (G).
10. Plug lamp into wall outlet.

*** (DIRECT WIRE INSTALLATION) *** (See Fig. 2)

We strongly recommend that a professional electrician install the fixture.

1. Follow step 1 of CORD COVER ASSEMBLY.
2. Guide wiring from wall outlet through center hole in mounting plate (L). Affix mounting plate (L) to wall outlet box with mounting screws (M) provided.
3. Cut fixture cord twelve inches away from fixture base (C) and remove by grasping plug (G) and pulling out of cord cover (D, E & F).
4. Connect the ground screw (green color) of the fixture to the bare copper ground wire in the outlet box. The insulation on the fixture cord that was cut to twelve inches in length in step 3 has a smooth side and a ribbed side. Connect the smooth wire to the black wire in the outlet box (not shown in diagram). Connect the ribbed wire to the white wire in the outlet box.
5. Attach fixture base (C) to the affixed mounting plate (L), and secure with base screws (N).
6. Follow steps 7 & 8 of CORD COVER ASSEMBLY.

*** Clean with a dry, soft cloth only. Use no harsh abrasives or chemical agents.