

## ASSEMBLY INSTRUCTIONS

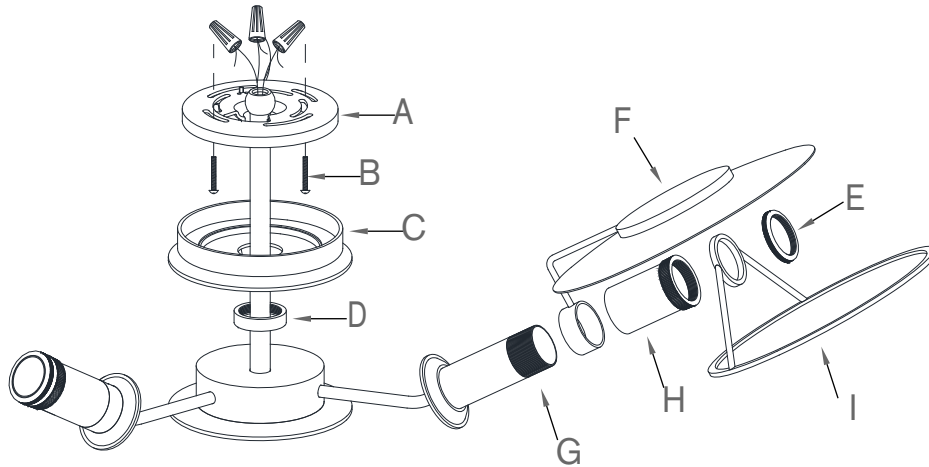
### Osiris Medium Reflector Chandelier Item # TOB 4290

**WE RECOMMEND INSTALLATION OF THIS LIGHTING FIXTURE BE DONE BY A LICENSED ELECTRICIAN.**

**WARNING \*\*\* SWITCH OFF THE MAIN ELECTRICAL SUPPLY FROM THE MAIN FUSE BOX/CIRCUIT BREAKER BEFORE INSTALLATION.**

**INSPECT ITEM CAREFULLY BEFORE ATTEMPTING TO INSTALL. IF THERE IS ANY DAMAGE OR OBVIOUS DEFECT, DO NOT INSTALL.**

**ITEM MAY NOT BE RETURNED ONCE IT HAS BEEN INSTALLED.**



1. Carefully remove all parts from the carton.
2. Remove canopy (C) from mounting plate (A) by unscrewing canopy ring (D).
3. Affix mounting plate (A) to ceiling outlet box with mounting screws (B) provided.
4. Attach the bare copper ground wire from the fixture to the ground junction box wire (usually green or copper), fasten together with a plastic wire connector. Tighten wrap the wire connector with electrical tape. Be sure no wire strands are exposed. IT IS IMPERATIVE THAT THE OUTLET BOX IN YOUR HOME BE PROPERLY GROUNDED.
5. Connect neutral wire from fixture (ribbed molded wire) to the neutral wire from the junction box (usually white) . Fasten both wires together with a plastic wire connector and tightly wrap the wire connector with electrical tape. Be sure no wire strands are exposed.
6. Connect the hot wire from the fixture (smooth wire) to the hot wire (usually black ) from the junction box. Fasten both together with a plastic wire connector and wrap the connection with electrical tape. DO NOT REVERSE THE HOT AND NEUTRAL CONNECTIONS OTHERWISE SAFETY WILL BE COMPROMISED.
7. Tuck wire connections neatly into ceiling outlet box.
8. Attach canopy (C) to the affixed mounting plate (A) and secure with canopy ring (D).
9. Remove socket rings (E) from sockets (G), thread the tubes (H) out from sockets (G).
10. Attach brackets (F) onto sockets (G), followed with tubes (H) and reflectors (I) and secure with sockets rings (E).
11. Insert light bulbs (not included) into sockets.
12. Installation is complete. Restore power and test fixture.

\*\*\* Clean with a dry, soft cloth only. Use no harsh abrasives or chemical agents.