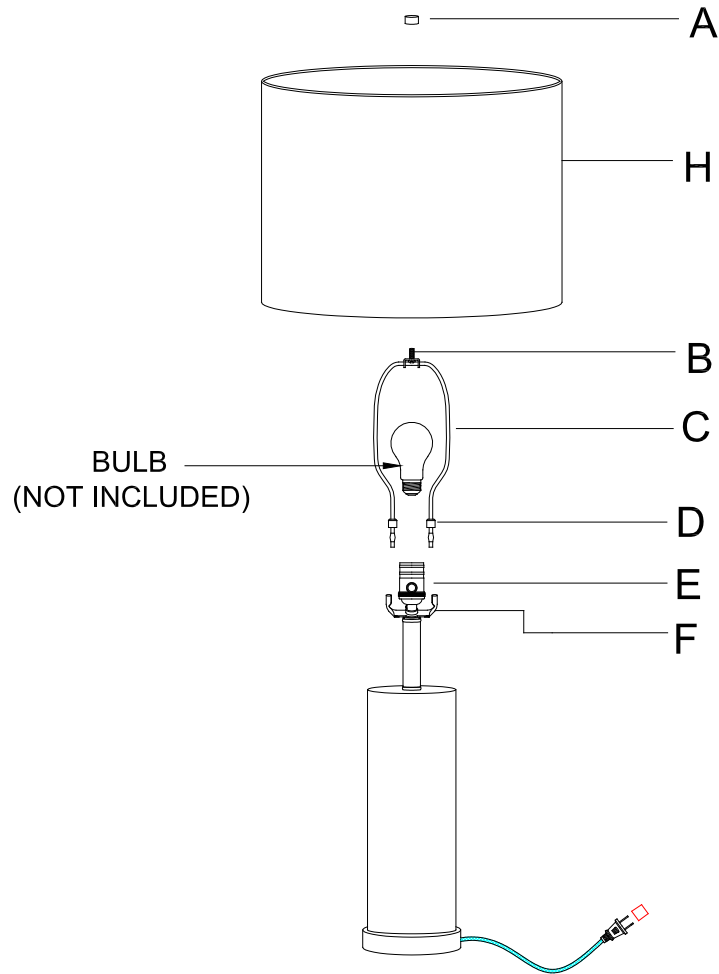


ARN3004

ASSEMBLY & INSTALLATION GUIDE

INSPECT ITEM CAREFULLY BEFORE ATTEMPTING TO INSTALL. IF THERE IS ANY DAMAGE OR OBVIOUS DEFECT, DO NOT INSTALL.

ITEM MAY NOT BE RETURNED ONCE IT HAS BEEN INSTALLED.



1. Carefully remove all parts from the box and remove all plastic covering.
2. Insert harp (C) into the two-pronged saddle (F) as shown.
3. Lower harp caps (D) so that they cover the two-pronged saddle (F).
4. Remove finial (A) from harp(C).
5. Place lamp shade (H) over harp nipple (B) so that the nipple protrudes through the opening.
6. Attach finial (A) to harp nipple (B) and turn clockwise to secure.
7. Insert bulb (not included) into socket (E).
8. Plug into proper electrical outlet and test fixture.
9. Assembly is complete.