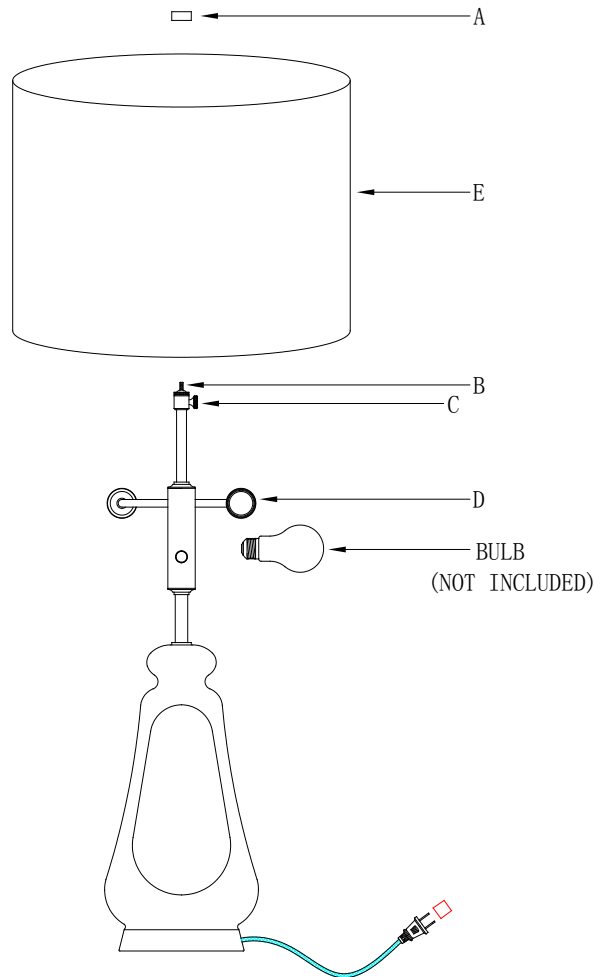


ARN3614

ASSEMBLY & INSTALLATION GUIDE

INSPECT ITEM CAREFULLY BEFORE ATTEMPTING TO INSTALL. IF THERE IS ANY DAMAGE OR OBVIOUS DEFECT, DO NOT INSTALL.

ITEM MAY NOT BE RETURNED ONCE IT HAS BEEN INSTALLED.



1. Carefully remove all parts from the box and place all the assembly parts on a soft surface.
2. Place lampshade (E) over the assembled riser (B) and secure with the finial (A).
3. Adjust the shade height with thumb screw (C).
4. Insert bulbs (not included) into socket (D).
5. Plug into proper electrical outlet and test fixture.
6. Assembly is complete.
7. CARE INSTRUCTIONS:
 1. Wipe with soft dry cloth only.
 2. Always avoid the use of harsh chemicals or abrasives as they may damage the finish.