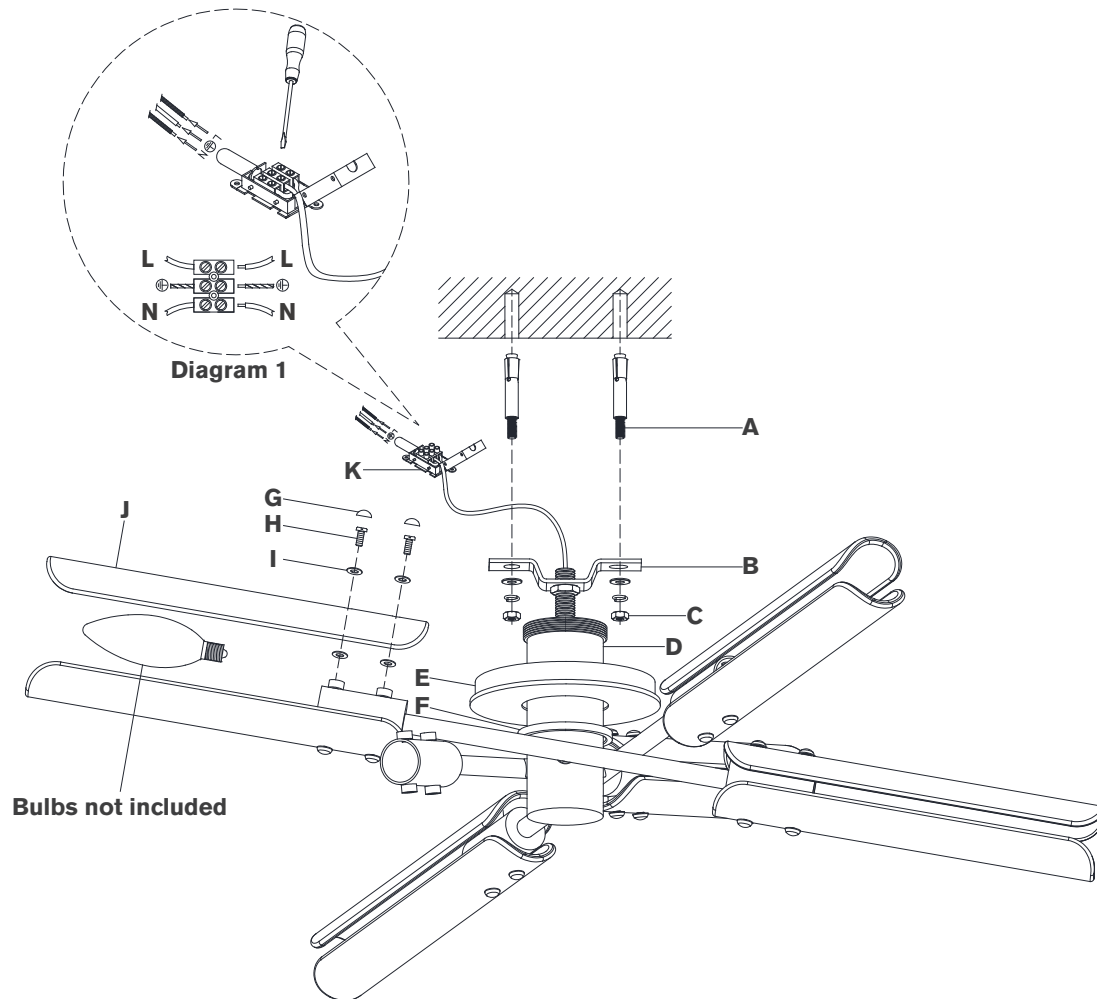


ASSEMBLY INSTRUCTIONS



Casoria XL Radial Flush Mount

Item # ARN 4480-EU

NOTICE:

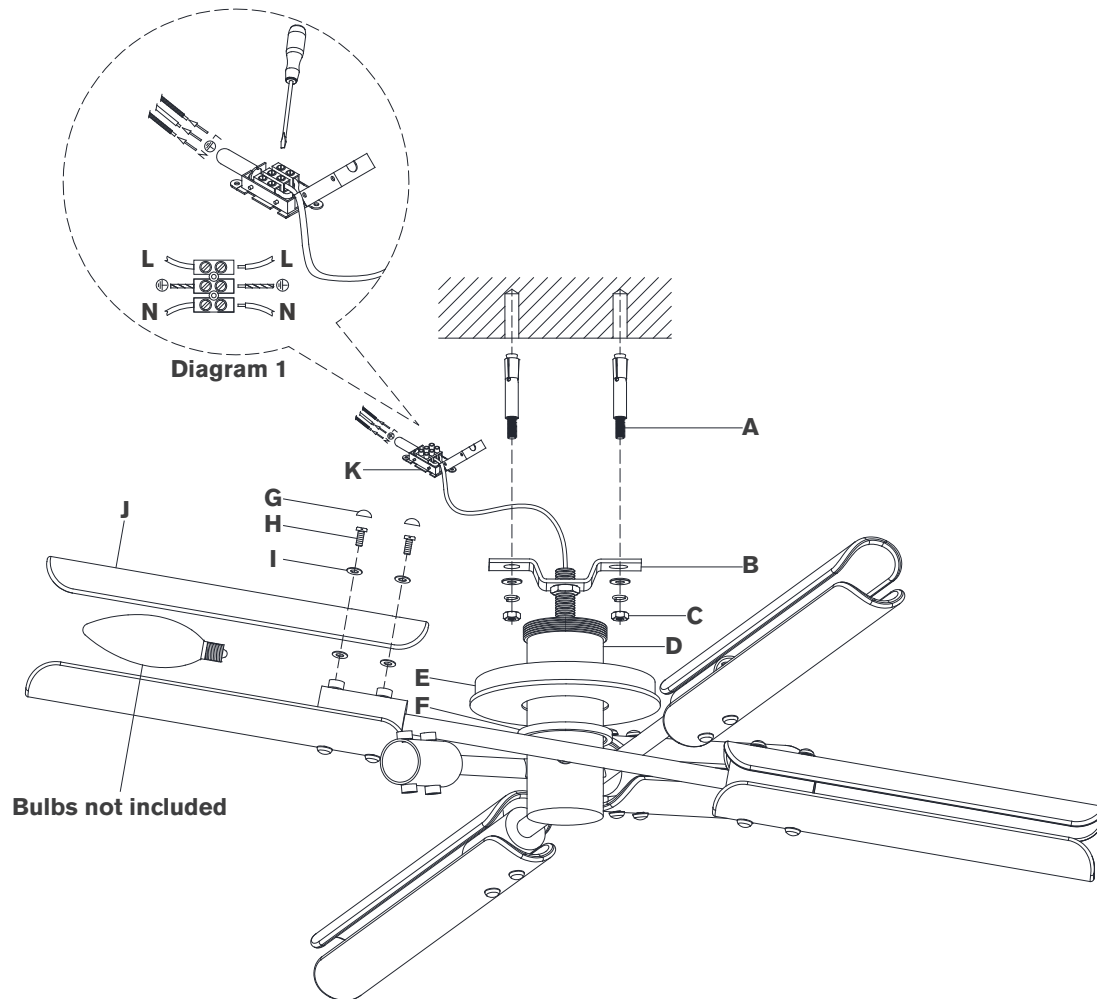
This light fixture should be installed in accordance with all applicable, local installation codes, and by a person familiar with the construction and operation of it, as well as the hazards involved. Inspect item and contents carefully. If any damage or defect is found, do not install. Retain all packaging material until installation is complete and approved.

TOOLS REQUIRED (NOT INCLUDED):

Phillips Screwdriver	Pencil	Hammer
Slotted Screwdriver	Drill	Wire Strippers
Wire Cutters		

1. Carefully remove all parts from the box. Place on a clean, soft surface.
2. Install light bulbs into the sockets.
3. Attach glass panels (**J**) and rubber washers (**I**) to the socket cups and secure with screws (**H**) and caps (**G**).
NOTE: Do not over-tighten otherwise shade could become damaged.
4. Loosen collar ring (**F**) and slip down canopy (**E**) carefully.
5. Secure collar loop (**D**) to mounting plate (**B**) using pliers to tighten locknut.
6. Using mounting plate (**B**) as a guide, line up with the ceiling and mark expansion anchors positions.
7. Using a drill bit slightly smaller than the expansion anchors, drill holes in the marked positions. Install expansion anchors and screws (**A**) into the holes using hammer.
8. Line up mounting plate (**B**) to expansion anchors and add washers, lock washers and mounting nuts (**C**). Secure by tightening mounting nuts.
9. Remove outer housing of wire by making a neat cut all the way around, about 2.5 cm from the end. Once cut is made, remove and discard the piece of housing, exposing the electrical wires.
NOTE: Make sure not to cut too deep into housing or electrical wires could become damaged.
10. Separate wires, and strip insulation on each 6 mm.

ASSEMBLY INSTRUCTIONS



Casoria XL Radial Flush Mount

Item # ARN 4480-EU

NOTICE:

This light fixture should be installed in accordance with all applicable, local installation codes, and by a person familiar with the construction and operation of it, as well as the hazards involved. Inspect item and contents carefully. If any damage or defect is found, do not install. Retain all packaging material until installation is complete and approved.

11. Open terminal block **(K)** to prepare for installation of electrical wires. Use diagram 1 to reference electrical installation steps below.
12. Connect fixture ground (green) and supply ground (usually green or yellow) to terminal block **(K)** and secure with screws.
NOTE: It is imperative that the fixture is grounded.
13. Connect neutral wires (blue) to terminal block **(K)** and secure with screws.
14. Connect hot wires (brown) to terminal block **(K)** and secure with screws. Close terminal block **(K)**.
CAUTION: Do not reverse the hot and neutral connections.
15. Install canopy **(E)** to collar loop **(D)** and secure with collar ring **(F)**.

Care Instructions: Clean only with a soft dry cloth or feather duster. Do Not use abrasive or chemical agents.