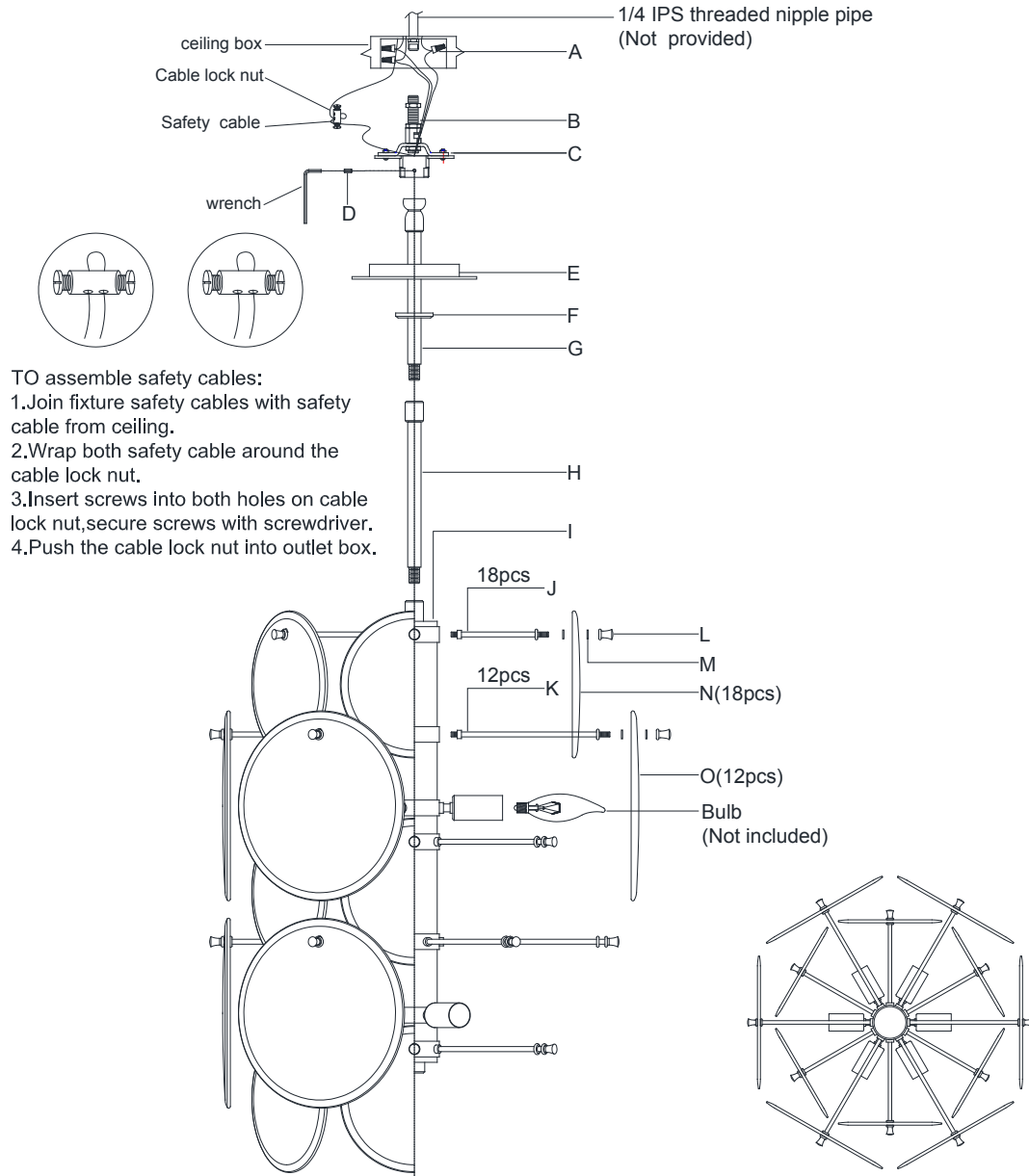


ASSEMBLY INSTRUCTIONS



TO assemble safety cables:
 1. Join fixture safety cables with safety cable from ceiling.
 2. Wrap both safety cable around the cable lock nut.
 3. Insert screws into both holes on cable lock nut, secure screws with screwdriver.
 4. Push the cable lock nut into outlet box.

Loire Medium Barrel Chandelier

Item # ARN 5451

WE RECOMMEND INSTALLATION OF THIS LIGHTING FIXTURE BE DONE BY A LICENSED ELECTRICIAN.

WARNING*SWITCH OFF THE MAIN ELECTRICAL SUPPLY FROM THE MAIN FUSE BOX/CIRCUIT BREAKER BEFORE INSTALLATION.**

INSPECT ITEM CAREFULLY BEFORE ATTEMPTING TO INSTALL. IF THERE IS ANY DAMAGE OR OBVIOUS DEFECT. DO NOT INSTALL.

ITEM MAY NOT BE RETURNED ONCE IT HAS BEEN INSTALLED.

NOTE: CAREFULLY UNPACK EACH PIECE IN TOP LAYER OF PACKING PRIOR TO REMOVING. RETAIN ALL PACKING MATERIAL UNTIL INSPECTION AND INSTALLATION ARE FINAL.

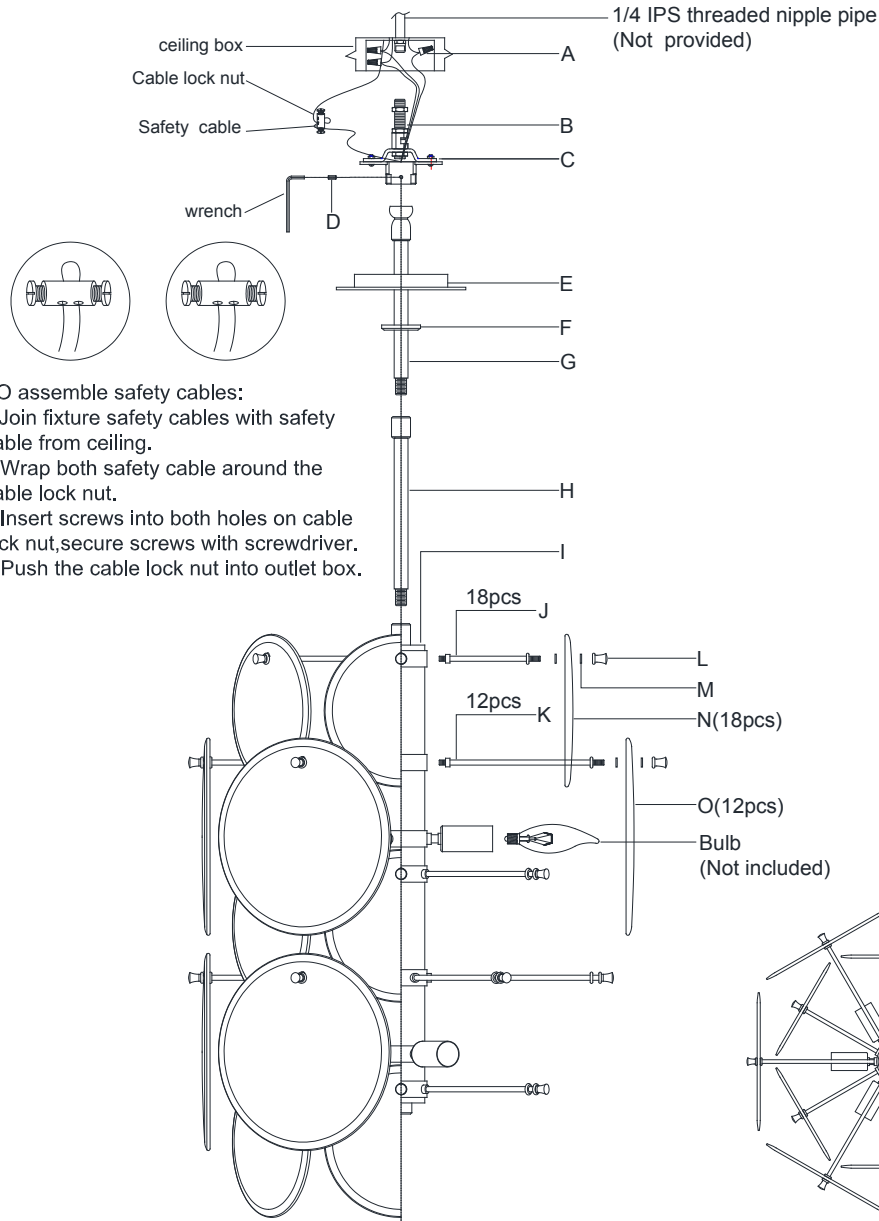
- Carefully remove all parts from the box.
- Feed the fixture wire, ground wire and safety cable pass through the rod (H), then thread the rod (H) to the top of fixture body (I).
- Feed the fixture wire, ground wire and safety cable pass through the collar ring (F) and canopy (E) and rod (G). Then thread the rod (G) to the rod (H).
- Provide a 1/4" IPS pipe with one end securely mounted to a beam or a structural member. The other end should protrude through the center of the outlet box as shown.
- Install the threaded nipple (B) into the support pipe and adjust overall length to allow the canopy ring to hold the canopy flush to the ceiling.
- Hang the fixture body (I) to the mounting plate (C) and secure with screw (D) by using the wrench.
- Connect the fixture ground (bare) wire with the ground wire from the junction box using wire nut (A). If your house does not have ground wire, then attach this wire to the green grounding screw inside of the outlet box.
- Connect the fixture Neutral wire (ribbed) with the neutral wire (White) from the junction box using wire nut (A).
- Connect the fixture Hot wire (smooth, marks with words) with the hot wire (Black) from the junction box using wire nut (A).

IT IS IMPERATIVE THAT THIS FIXTURE BE GROUNDED.

DO NOT REVERSE THE HOT AND NEUTRAL CONNECTIONS OR SAFETY WILL BE COMPROMISED.



ASSEMBLY INSTRUCTIONS



- TO assemble safety cables:
1. Join fixture safety cables with safety cable from ceiling.
 2. Wrap both safety cable around the cable lock nut.
 3. Insert screws into both holes on cable lock nut, secure screws with screwdriver.
 4. Push the cable lock nut into outlet box.

Loire Medium Barrel Chandelier

Item # ARN 5451

WE RECOMMEND INSTALLATION OF THIS LIGHTING FIXTURE BE DONE BY A LICENSED ELECTRICIAN.

WARNING*SWITCH OFF THE MAIN ELECTRICAL SUPPLY FROM THE MAIN FUSE BOX/CIRCUIT BREAKER BEFORE INSTALLATION. INSPECT ITEM CAREFULLY BEFORE ATTEMPTING TO INSTALL. IF THERE IS ANY DAMAGE OR OBVIOUS DEFECT. DO NOT INSTALL.**

ITEM MAY NOT BE RETURNED ONCE IT HAS BEEN INSTALLED.

NOTE: CAREFULLY UNPACK EACH PIECE IN TOP LAYER OF PACKING PRIOR TO REMOVING. RETAIN ALL PACKING MATERIAL UNTIL INSPECTION AND INSTALLATION ARE FINAL.

10. Tuck these wire connections neatly into the outlet box to secure.
11. Put canopy (E) flush to the ceiling and secure with collar ring (F).
12. Insert bulbs (not included) into the sockets.
13. Thread the short metal rods (J) to the first, third and fifth tier of the center hub.
14. Thread the long metal rods (K) to the second and fourth tier of the center hub.
15. Loosen the finial (L) from the metal rods (J), attach the small glass disks (N) to the metal rods (J) and secure with rubber washer (M) and finial (L).
16. Loosen the finial (L) from the metal rods (K), attach the big glass disks (O) to the metal rods (K) and secure with rubber washer (M) and finial (L).
17. Installation is complete, turn on power at fuse or circuit breaker.

***Clean with a dry, soft cloth only. Use no harsh abrasives or chemical agents.

