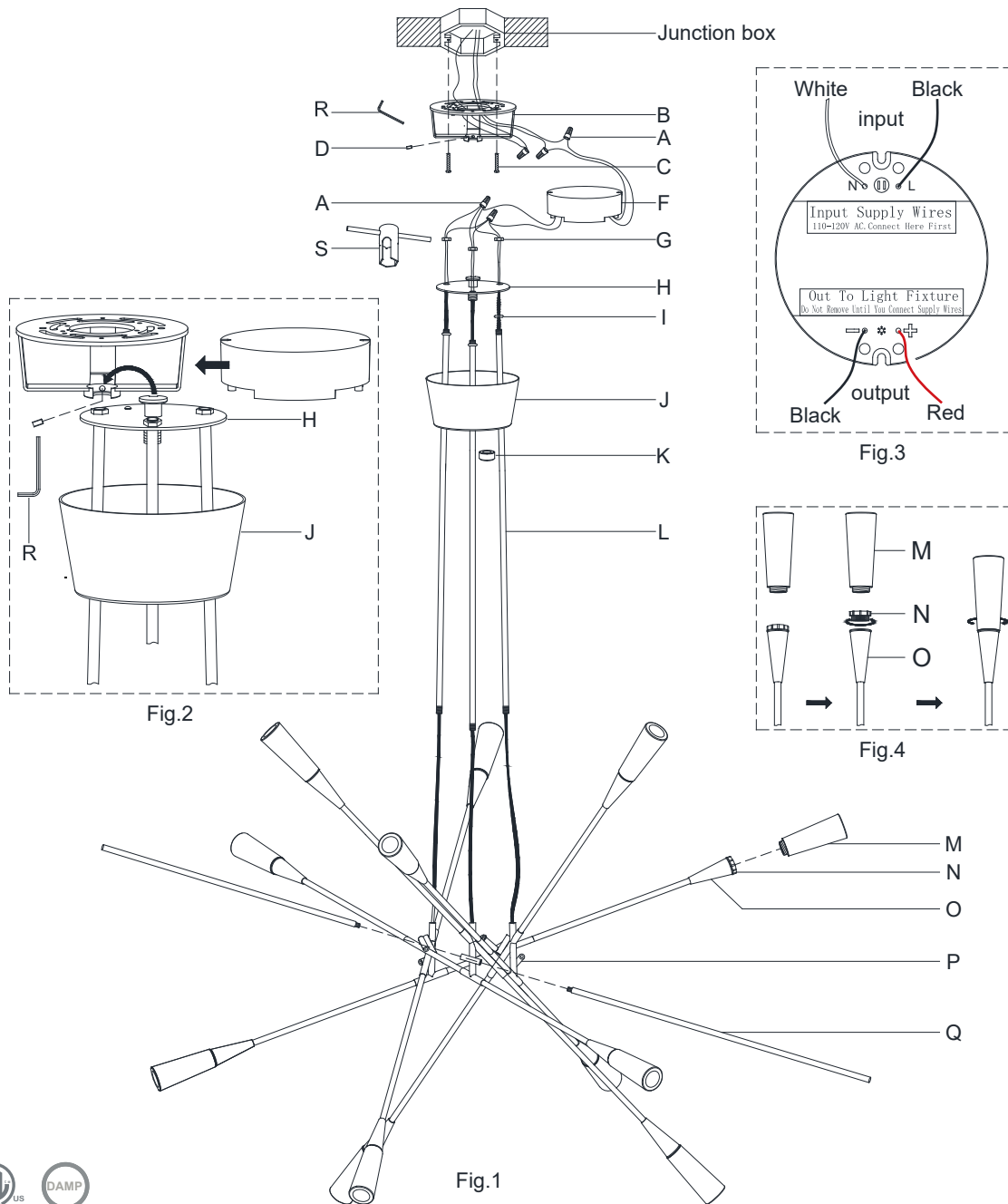


## ASSEMBLY INSTRUCTIONS



## Stellar Large Chandelier

Item # CHC 5600

**WE RECOMMEND INSTALLATION OF THIS LIGHTING FIXTURE BE DONE BY A LICENSED ELECTRICIAN.**

**WARNING\*\*\*SWITCH OFF THE MAIN ELECTRICAL SUPPLY FROM THE MAIN FUSE BOX/CIRCUIT BREAKER BEFORE INSTALLATION.**

**INSPECT ITEM CAREFULLY BEFORE ATTEMPTING TO INSTALL. IF THERE IS ANY DAMAGE OR OBVIOUS DEFECT. DO NOT INSTALL.**

**ITEM MAY NOT BE RETURNED ONCE IT HAS BEEN INSTALLED.**

**NOTE: CAREFULLY UNPACK EACH PIECE IN TOP LAYER OF PACKING PRIOR TO REMOVING. RETAIN ALL PACKING MATERIAL UNTIL INSPECTION AND INSTALLATION ARE FINAL.**

- Carefully remove all parts from the box.
  - Remove the mounting plate (B) from the canopy (J) by loosening the finial (K).
  - Affix the mounting plate (B) onto the junction box and secure with the mounting screws (C), then let the house ground wire, neutral wire and hot wire pass through the center hole on the mounting plate (B).
  - Connect the house ground wire to the ground wire on the mounting plate (B) with the wire nut (A).
- IT IS IMPERATIVE THAT THIS FIXTURE BE GROUNDING.
- Feed the fixture wires pass through the rods (L) one by one, then thread the rods (L) to the top of the fixture body.
  - Let the rods (L) pass the holes on the canopy (J), then thread the check ring (I) to the top of the rods (L) and lock tight.
  - Attach the metal plate (H) to the rods (L) and secure with the lock nuts (G) with using the T-wrench (S) provided (see Fig.1).
  - Raise the fixture body, hang the metal plate (H) to the mounting plate (B) and secure with the set screw (D) with using the L-wrench (R) provided (see Fig.2).
  - Connect the fixture black wires to the driver output black wire with the wire nut (A).
  - Connect the fixture red wires to the driver output red wire with the wire nut (A).

# ASSEMBLY INSTRUCTIONS

## Stellar Large Chandelier

Item # CHC 5600

**WE RECOMMEND INSTALLATION OF THIS LIGHTING FIXTURE BE DONE BY A LICENSED ELECTRICIAN.**

**WARNING\*\*\*SWITCH OFF THE MAIN ELECTRICAL SUPPLY FROM THE MAIN FUSE BOX/CIRCUIT BREAKER BEFORE INSTALLATION.**

**INSPECT ITEM CAREFULLY BEFORE ATTEMPTING TO INSTALL. IF THERE IS ANY DAMAGE OR OBVIOUS DEFECT. DO NOT INSTALL.**

**ITEM MAY NOT BE RETURNED ONCE IT HAS BEEN INSTALLED.**

**NOTE: CAREFULLY UNPACK EACH PIECE IN TOP LAYER OF PACKING PRIOR TO REMOVING. RETAIN ALL PACKING MATERIAL UNTIL INSPECTION AND INSTALLATION ARE FINAL.**

11. Connect the driver input white wire to the house neutral wire with the wire nut (A).
12. Connect the driver input black wire to the house hot wire with the wire nut (A) (see Fig.3).  
DO NOT REVERSE THE HOT AND NEUTRAL CONNECTIONS OR SAFETY WILL BE COMPROMISED.
13. Tuck the wire connections neatly into junction box.
14. Carefully put the driver (F) into the mounting plate (B) from the open side.
15. Attach the canopy (J) to the mounting plate (B) and secure with the finial (K).
16. Thread the metal bars (O) to the fixture body (P).
17. Unscrew the protective caps (M) from the socket covers (N), then install acrylic lens (L) by screwing clockwise to the socket cover (N) (see Fig.4). Discard protective caps after assembly.
18. Installation is complete, turn on power at fuse or circuit breaker.

\*\*\*Clean with a dry, soft cloth only. Use no harsh abrasives or chemical agents.

