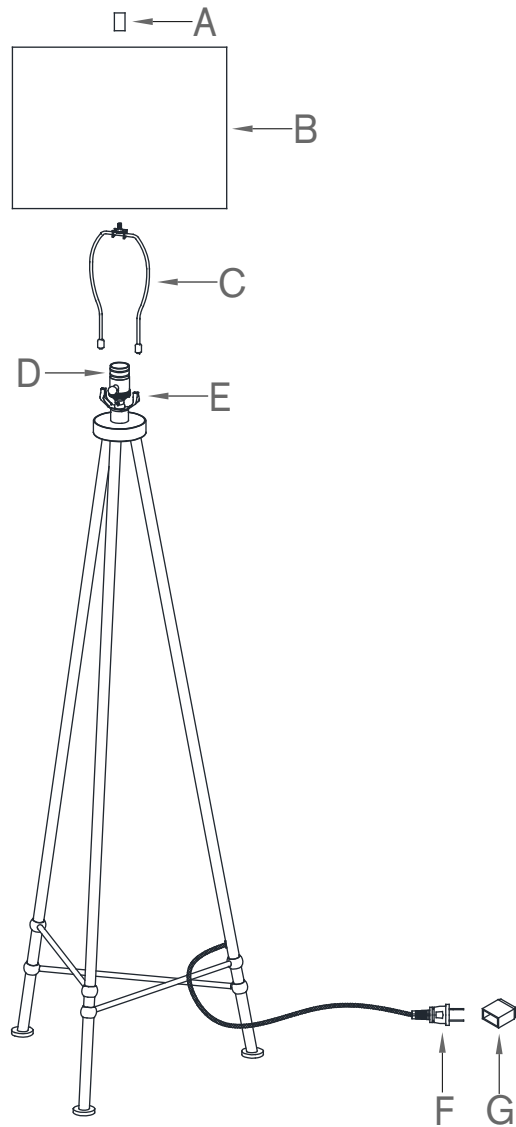


ASSEMBLY INSTRUCTIONS



Lafitte Large Floor Lamp Item # JN1032

INSPECT ITEM CAREFULLY BEFORE ATTEMPTING TO INSTALL. IF THERE IS ANY DAMAGE OR OBVIOUS DEFECT, DO NOT INSTALL.

ITEM MAY NOT BE RETURNED ONCE IT HAS BEEN INSTALLED.

1. Carefully remove all parts from the carton.
2. Raise the harp caps and insert the bottom ends of harp (C) into the saddles (E).
3. Remove finial (A) from harp top (C). Place shade (B) (packed separately) onto the harp top (C) and secure with finial (A).
4. Insert the specified light bulb into socket (D).
5. Remove plastic cover (G) from electrical plug (F).
6. Plug lamp into wall outlet.

***Clean with a dry, soft cloth only. Use no harsh abrasives or chemical agents.