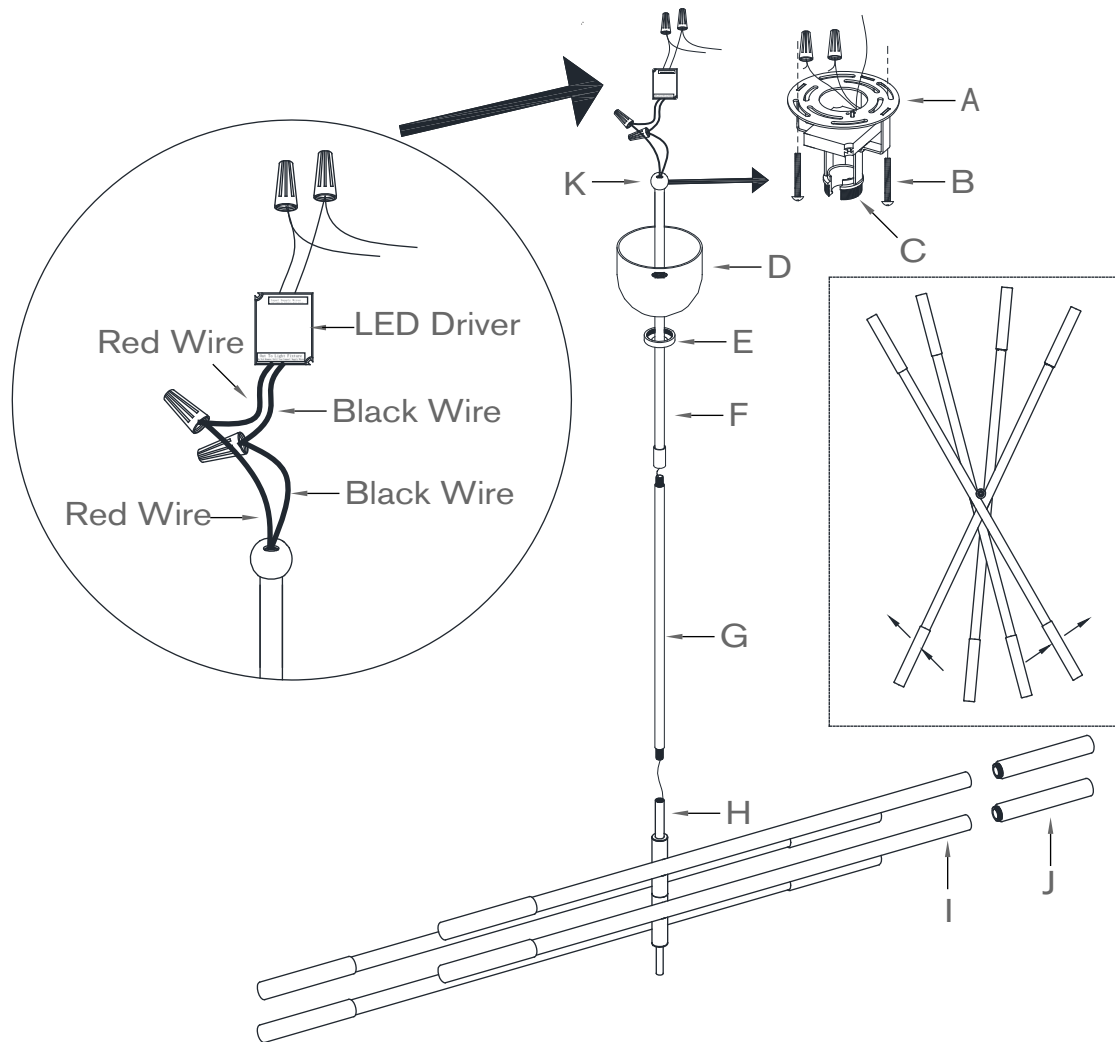


ASSEMBLY INSTRUCTIONS



Rousseau Grande Eight Light Articulating Chandelier Item # KW 5589

WE RECOMMEND INSTALLATION OF THIS LIGHTING FIXTURE BE DONE BY A LICENSED ELECTRICIAN.

WARNING * SWITCH OFF THE MAIN ELECTRICAL SUPPLY FROM THE MAIN FUSE BOX/CIRCUIT BREAKER BEFORE INSTALLATION.**

INSPECT ITEM CAREFULLY BEFORE ATTEMPTING TO INSTALL. IF THERE IS ANY DAMAGE OR OBVIOUS DEFECT, DO NOT INSTALL.

ITEM MAY NOT BE RETURNED ONCE IT HAS BEEN INSTALLED.

1. Carefully remove all parts from the carton.
2. Attach mounting plate (A) to ceiling outlet box and secure with mounting screws (B).
3. Feed wire through the rods (G) & (F) and swivel ball (K).
4. Thread the bottom nipple of rod (G) into the joint (H).
5. Thread the top nipple of rod (G) into the bottom opening of rod (F).
6. Unscrew canopy ring (E), slide canopy ring (E) and canopy (D) on rod (F).
7. Measure the wires and cut it to desired length. Be certain to enough for connecting to LED driver inside of canopy (D).
8. Hook the swivel ball (K) to mounting loop (C) for hanging the light fixture.
9. Pull the ground wire from ceiling outlet through the center hole of mounting plate (A), wrap the ground wire onto the green ground screw on mounting plate (A) and secure tight. **IT IS IMPERATIVE THAT THIS FIXTURE BE GROUNDED.**
10. Connect the Neutral wire (white) from the **LED driver** with the neutral wire from the outlet box using a wire nut. Connect the Hot (black) wire from the **LED driver** with the hot wire from the outlet box using a wire nut.
11. Connect the **LED driver** wires to the wires from the fixture body using a wire nut, please note red wire (+) to red wire, and black wire (-) to black wire. **DO NOT REVERSE THE HOT AND NEUTRAL CONNECTIONS OTHERWISE SAFETY WILL BE COMPROMISED.**
12. Tuck the wire connections neatly into the ceiling outlet box.
13. Slip canopy (D) to mounting plate (A) and secure with canopy ring (E).
14. Rotate the lamp arms (I) to your desired position.
15. Thread glass rod (J) into lamp arms (I) by turning in a clockwise direction until tight. **DO NOT OVERTIGHT, OTHERWISE THE GLASS ROD WILL BE BROKEN.**
16. Restore power and test fixture. Installation is complete.

*** Clean with a dry, soft cloth only. Use no harsh abrasives or chemical agents.