

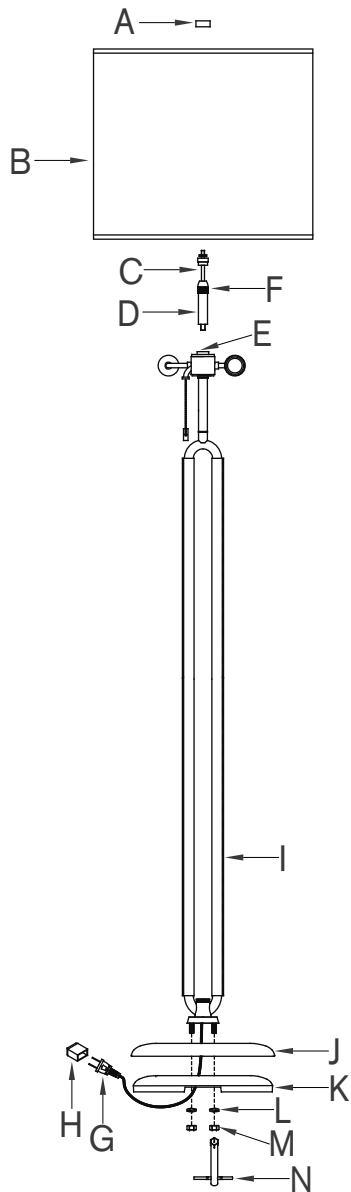
RL 1533

ASSEMBLY & INSTALLATION GUIDE

INSPECT ITEM CAREFULLY BEFORE ATTEMPTING TO INSTALL. IF THERE IS ANY DAMAGE OR OBVIOUS DEFECT, DO NOT INSTALL.

BEFORE INSTALLATION AND MAINTENANCE, PLEASE TURN OFF THE POWER IN MAIN CIRCUIT BOX

ITEM MAY NOT BE RETURNED ONCE IT HAS BEEN INSTALLED.



1. Carefully remove all parts from the carton.
2. Join lamp stem (I), lamp base (J) and base weight (K) together, letting bottom nipple of the lamp stem (I) pass through the hole of base weight (K) and lamp base (J).
3. From the underside of base (K), slide the spring washer (L) over the threaded nipple and then thread nut (M) onto the nipple. Use the T-wrench (N) to tighten the nut.
4. Thread the nipple of rod (D) into the opening of part (E) by turning in clockwise direction until tight.
5. Remove finial (A) from harp (B), place lamp shade (packed separately) over the bolt attached on top of harp (B). Screw finial (A) onto the bolt to secure lamp shade to harp (B).
6. Insert light bulb into the socket.
7. Remove plastic cover (H) from electrical plug (G).
8. Plug lamp into wall outlet.

ADJUSTMENT INSTRUCTIONS

1. Loosen the break (F) by turning in counter-clockwise direction.
2. Adjust rod (C) up or down to desired height.
3. Tighten the break (F) by turning in clockwise direction.

*** Clean with a dry, soft cloth only. Use no harsh abrasives or chemical agents.



RALPH LAUREN