

RL2007

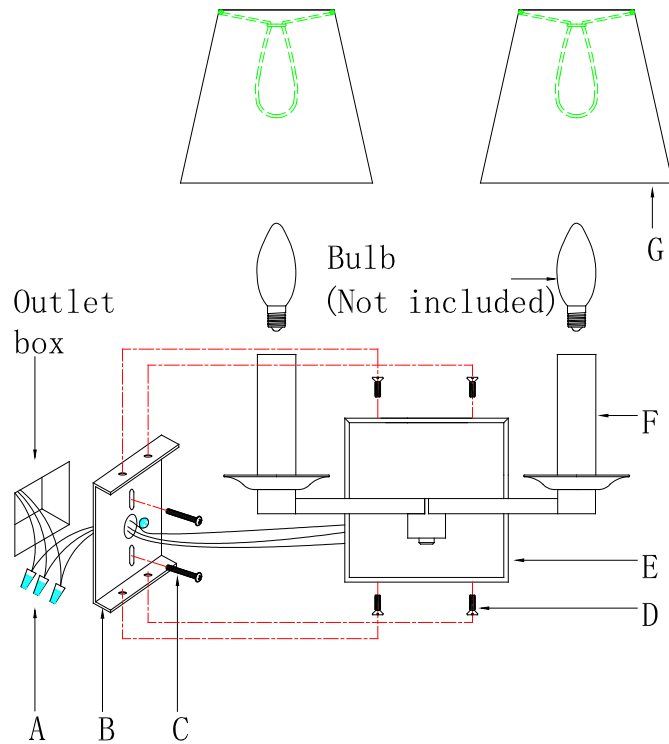
ASSEMBLY & INSTALLATION GUIDE

WE RECOMMEND INSTALLATION OF THIS LIGHTING FIXTURE BE DONE BY A LICENSED ELECTRICIAN.

WARNING * SWITCH OFF THE MAIN ELECTRICAL SUPPLY FROM THE MAIN FUSE BOX/CIRCUIT BREAKER BEFORE INSTALLATION.**

INSPECT ITEM CAREFULLY BEFORE ATTEMPTING TO INSTALL. IF THERE IS ANY DAMAGE OR OBVIOUS DEFECT, DO NOT INSTALL.

ITEM MAY NOT BE RETURNED ONCE IT HAS BEEN INSTALLED.



1. Remove mounting plate (B) from the fixture base (E) by unscrewing the side screws (D)
2. Separate the two cords carefully and identify the Live & Neutral wire.
3. Connect the Ground (bare) fixture wire with the ground (usually bare) wire from wall outlet box using wire nut (A). If there is no ground wire, then attach this wire to the green grounding screw on mounting plate (B).
4. IT IS IMPERATIVE THAT THE J-BOX IN YOUR HOME BE PROPERLY GROUNDED
5. Connect the Neutral fixture wire with the Neutral (usually white) wire from the wall outlet box using wire nut (A).
6. Connect the Hot (smooth edge, markings, or black) fixture wire with the Hot (usually black) wire from the outlet box using wire nut (A).
7. DO NOT REVERSE THE HOT AND NEUTRAL CONNECTIONS OR SAFETY WILL BE COMPROMISED
8. Carefully tuck the wires into the outlet box. Make sure no wires can be pulled out.
9. Install the mounting plate (B) to the wall by using mounting screws (C) provided.
10. Secure the fixture base (E) to the mounting plate (B) with the four screws (D)
11. Insert bulb (not included) into socket (F).
12. Clip the shade (G) onto the bulb.
13. Assembly is complete.

R A L P H L A U R E N