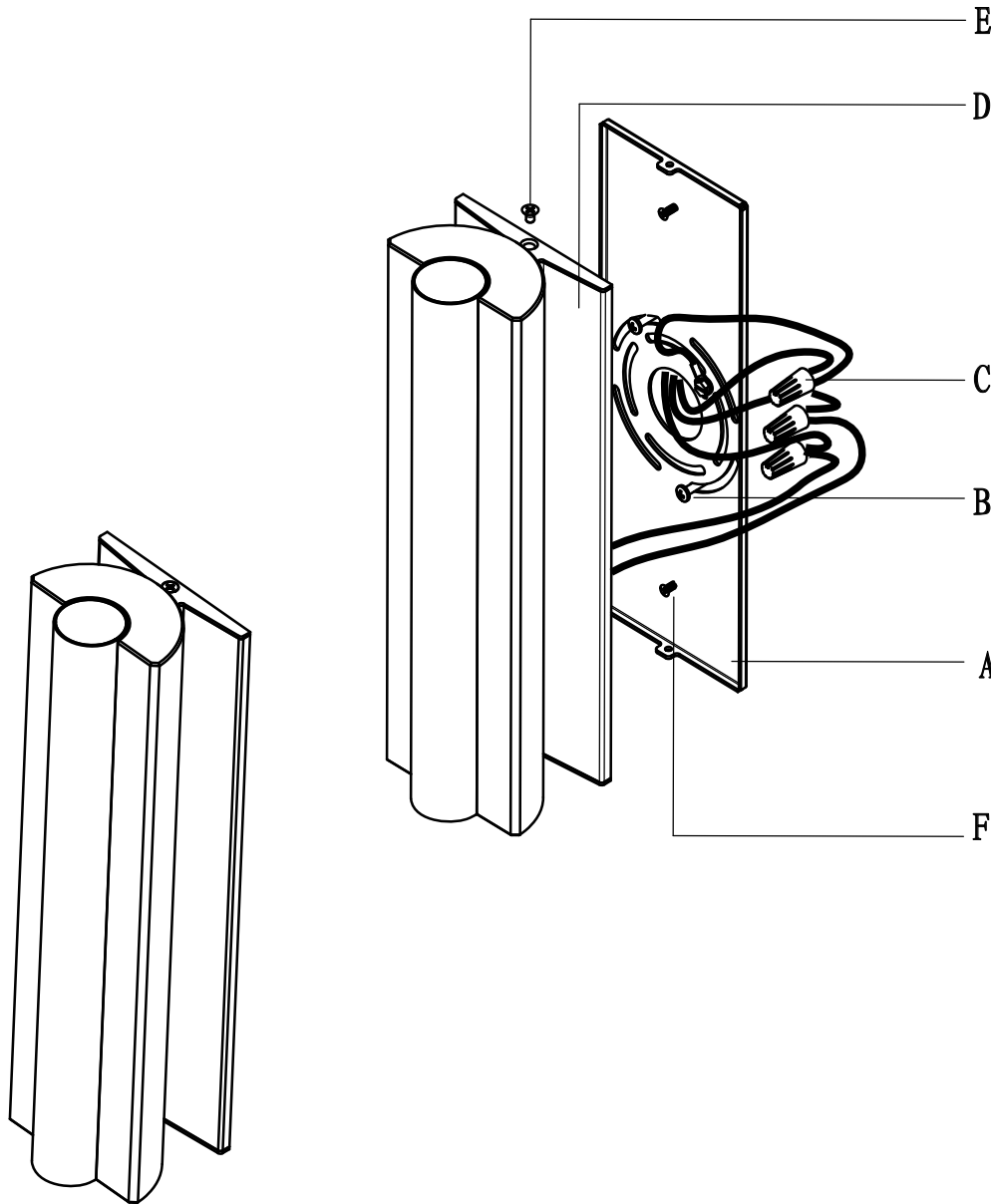


ASSEMBLY INSTRUCTIONS



Daley Medium Linear Sconce

Item # RL 2321

WE RECOMMEND INSTALLATION OF THIS LIGHTING FIXTURE BE DONE BY A LICENSED ELECTRICIAN.

WARNING***SWITCH OFF THE MAIN ELECTRICAL SUPPLY FROM THE MAIN FUSE BOX/CIRCUIT BREAKER BEFORE INSTALLATION.

INSPECT ITEM CAREFULLY BEFORE ATTEMPTING TO INSTALL. IF THERE IS ANY DAMAGE OR OBVIOUS DEFECT. DO NOT INSTALL.

ITEM MAY NOT BE RETURNED ONCE IT HAS BEEN INSTALLED.

NOTE: CAREFULLY UNPACK EACH PIECE IN TOP LAYER OF PACKING PRIOR TO REMOVING. RETAIN ALL PACKING MATERIAL UNTIL INSPECTION AND INSTALLATION ARE FINAL.

1. Carefully remove all parts from the box.
2. Take apart the cross counter sink screws (E) at both ends using a Phillips screwdriver.
3. Install the mounting plate (A) onto the Jbox using two cross pan head screws (B).
4. Secure the mounting plate (A) using two cross counter self-tapping screws (F) as the mounting plate (A) is long.
5. Connect the two wires of the body (D) and wires of Jbox together using wire nuts (C).
This Wall Sconce can be connected to 120V AC directly, so no need to identify polarity of wires.
6. Connect the two ground wires of the body (D) and ground wires of Jbox together using wire nuts (C).
7. Put all connected wires and ground wires to the appropriate space between the body and Jbox, to avoid wires from being exposed.
8. Install the body (D) to the mounting plate (A) and secure the body (D) using two cross counter sink screws (E).
9. Installation is complete, turn on power at fuse or circuit breaker.

***Clean with a dry, soft cloth only. Use no harsh abrasives or chemical agents.



RALPH LAUREN