

## ASSEMBLY INSTRUCTIONS

### Brompton Extension Swing Arm

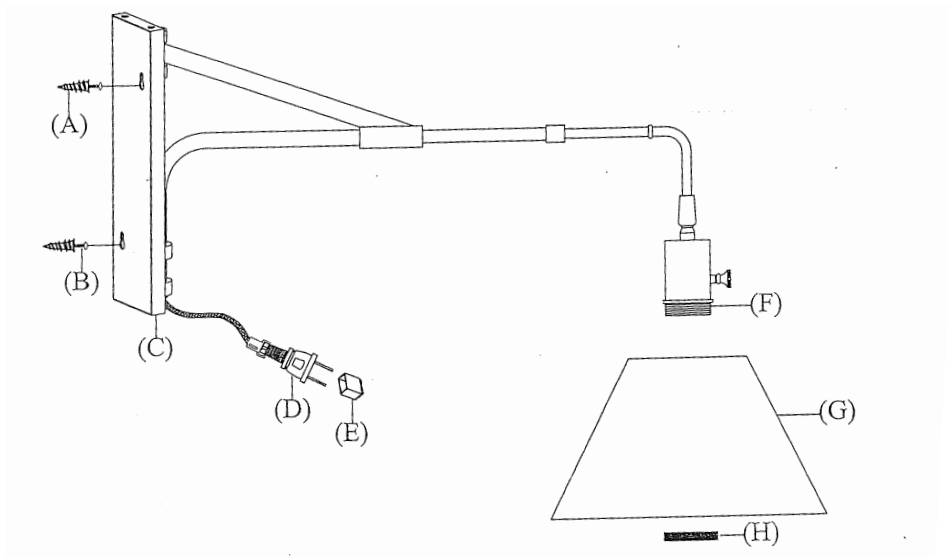
Item # RL2500

**WE RECOMMEND INSTALLATION OF THIS LIGHTING FIXTURE BE DONE BY A LICENSED ELECTRICIAN.**

**WARNING \*\*\* SWITCH OFF THE MAIN ELECTRICAL SUPPLY FROM THE MAIN FUSE BOX/CIRCUIT BREAKER BEFORE INSTALLATION.**

**INSPECT ITEM CAREFULLY BEFORE ATTEMPTING TO INSTALL. IF THERE IS ANY DAMAGE OR OBVIOUS DEFECT, DO NOT INSTALL.**

**ITEM MAY NOT BE RETURNED ONCE IT HAS BEEN INSTALLED.**



1. Hold the wall mounting template up to the wall where you want to mount the sconce. Making sure the template is level; make small pilot holes through the paper and into the wall surface. Set the template aside.
2. If the sconce will be mounted to a wall stud, then the metal anchors (A) are not needed. Simply drill small holes at the previously marked points, and insert the mounting screws (B) using a screwdriver. Make sure 1/8" of threads are exposed.
3. If the sconce will be mounted to wallboard only, then the anchors (A) are needed. Using a screwdriver, drive the plastic anchors into the wallboard at the previously marked points. Insert the mounting screws (B) into the anchors (A) using a screwdriver. Make sure 1/8" of threads are exposed.
4. Hook lamp base (C) onto both heads of mounting screws (B).
5. Remove the socket ring (H) from threaded socket, and place to the lamp shade (G) over top of threaded socket (F) and secure with socket ring (H).
6. Insert light bulb (not included) into socket.
7. Remove plastic cover (E) from electrical plug (D).
8. Plug lamp into wall outlet.



# RALPH LAUREN